



PRICE LIST

DATE 09 | 2025

**STOVES /
WOOD FIRES**

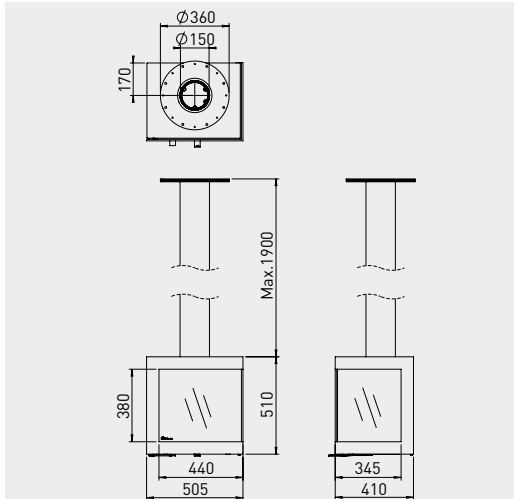
Note:

This price list cancels and replaces all previous price lists. Colours may differ slightly from actual colours, due to the printing process. Subject to technological and colour modifications. Errors excepted. Illustrations, drawings and further data are shown in the Dik Geurts brochure.

Prices excl. VAT

CONTENT	PAGE	CONTENT	PAGE
Design stoves	4	Aste 5	49
Bora Corner, Fixed	4	Soren 5	50
Bora Corner, Wall	5	Lars 1000	51
Bora Corner, Cubes	6	Jannik Medium, Low	52
Bora Corner, Straight Plateau	7	Jannik Medium, High	53
Bora Corner, Floating Plateau	8	Jannik Large	54
Odin Fixed	9	Orbe	55
Odin Base	10		
Odin Wall	11	Wood fires Straight	56
Odin Plateau	12	Instyle 500	56
Odin Tunnel Fixed	13	Instyle 550	57
Odin Tunnel Base	14	Instyle 600	58
Odin Tunnel Plateau	15	Instyle 650	59
Oval Fixed	16	Instyle 700	60
Oval Base	17	Instyle 800	61
Oval Wall	18	Instyle 1000	62
Oval Legs	19	Prostyle 500	63
Oval Plateau	20	Prostyle 550	64
Oval Tunnel Fixed	21	Prostyle 600	65
Oval Tunnel Base	22	Prostyle 650	66
Oval Tunnel Legs	23	Prostyle 700	67
Oval Tunnel Plateau	24	Prostyle 800	68
		Prostyle 1000	69
Stoves	25	Instyle 600V Next	70
Vidar Triple Small	25	Instyle 700V Next	71
Vidar Triple Small Wall	26	Instyle 800V Next	72
Vidar Triple Small, Store	27		
Vidar Triple Small, Straight Plateau	28	Wood fires Tunnel	73
Vidar Triple Small, Floating Plateau	29	Instyle Tunnel	73
Vidar Triple Medium	30	Prostyle Tunnel	74
Vidar Triple Medium Wall	31		
Vidar Triple Medium, Store	32	Wood fires Corner	75
Vidar Triple Medium, Straight Plateau	33	Instyle Corner 660 Low	75
Vidar Triple Medium, Floating Plateau	34	Instyle Corner 660 High	76
Vidar Triple Large	35	Instyle Corner Slim 660/495	77
Vidar Triple Large Wall	36	Instyle Corner Slim 660/570	78
Vidar Triple Large, Store	37		
Vidar Triple Large, Straight Plateau	38	Wood fires Triple	79
Ivar 5, High	39	Instyle Triple 660 Low-01	79
Ivar 5, Store	40		
Ivar 8, Store	41	Technical data	80
Ivar 10 H ₂ O, Store	42		
Kalle	43		
Folke	44		
Modivar 5, Store Front	45		
Modivar 5, Store Corner	46		
Modivar 5, Straight Plateau	47		
Modivar 5, Floating Plateau	48		

Bora Corner, Fixed

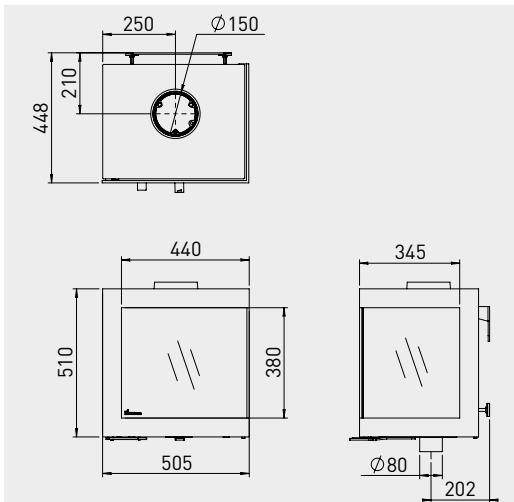


Model	Item no.	Price (€)
Bora Corner, left	1066498	3,965.55
Bora Corner, right	1066499	3,965.55
Bora Corner, left, RS (no DIBt), external air rear	1066541	4,405.04
Bora Corner, right, RS (no DIBt), external air rear	1066540	4,405.04
Bora Corner, left, RS (no DIBt), external air bottom	1066543	4,345.38
Bora Corner, right, RS (no DIBt), external air bottom	1066542	4,345.38

Required component	Description	Item no.	Price (€)
Set of ceiling mounting system	Length 1900 mm	1075258	899.17
Clarification of the installation as a hanging version must be agreed in advance with the district chimney sweep and approval obtained	Custom made (0 - 1900 mm)	1062838	899.17
Flue gas tube	Conical flue gas outlet Ø 150 mm	1083105	78.15

Accessories	Description	Item no.	Price (€)
Set for external air connection	Rear connection	1066504	137.82
	Bottom connection	1066505	71.43

Bora Corner, Wall

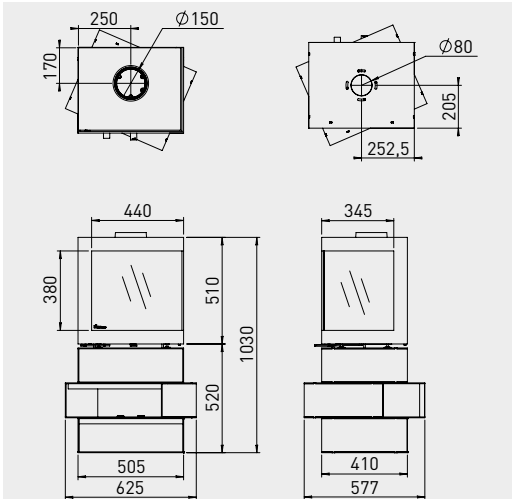


Model	Item no.	Price (€)
Bora Corner, left	1066498	3,965.55
Bora Corner, right	1066499	3,965.55
Bora Corner, left, RS (no DIBt), external air rear	1066541	4,405.04
Bora Corner, right, RS (no DIBt), external air rear	1066540	4,405.04
Bora Corner, left, RS (no DIBt), external air bottom	1066543	4,345.38
Bora Corner, right, RS (no DIBt), external air bottom	1066542	4,345.38

Required component	Description	Item no.	Price (€)
Mounting kit	Including heat shield flue and flue pipe	1066501	316.81
Flue gas tube	Conical flue gas outlet $\varnothing 150$ mm	1083105	78.15

Accessories	Description	Item no.	Price (€)
Set for external air connection	Rear connection	1066504	137.82
	Bottom connection	1066505	71.43

Bora Corner, Cubes

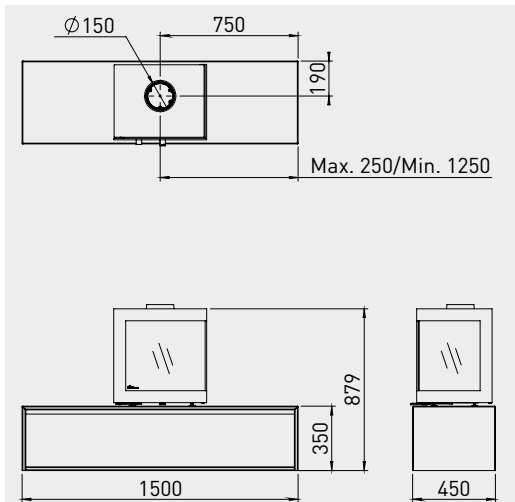


Model	Item no.	Price (€)
Bora Corner, left	1066498	3,965.55
Bora Corner, right	1066499	3,965.55
Bora Corner, left, RS (no DIBt), external air bottom	1066543	4,345.38
Bora Corner, right, RS (no DIBt), external air bottom	1066542	4,345.38

Required component	Description	Item no.	Price (€)
Cubes	Bora Corner	1066503	1,336.13
Flue gas tube	Conical flue gas outlet \varnothing 150 mm	1083105	78.15

Accessories	Description	Item no.	Price (€)
Set for external air connection	Bottom connection	1066505	71.43

Bora Corner, Straight Plateau

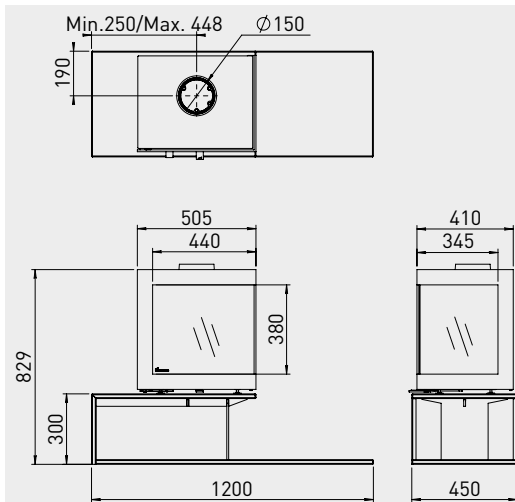


Model	Item no.	Price (€)
Bora Corner, left	1066498	3,965.55
Bora Corner, right	1066499	3,965.55
Bora Corner, left, RS (no DIBt), external air bottom	1066543	4,345.38
Bora Corner, right, RS (no DIBt), external air bottom	1066542	4,345.38

Required component	Description	Item no.	Price (€)
Straight Plateau	Straight Plateau not for Bora Corner with external air bottom	1071423	935.29
	Custom made not for Bora Corner with external air bottom	1071427	1,798.32
Flue gas tube	Conical flue gas outlet Ø 150 mm	1083105	78.15

Accessories	Description	Item no.	Price (€)
Set for external air connection	Bottom connection	1066505	71.43

Bora Corner, Floating Plateau

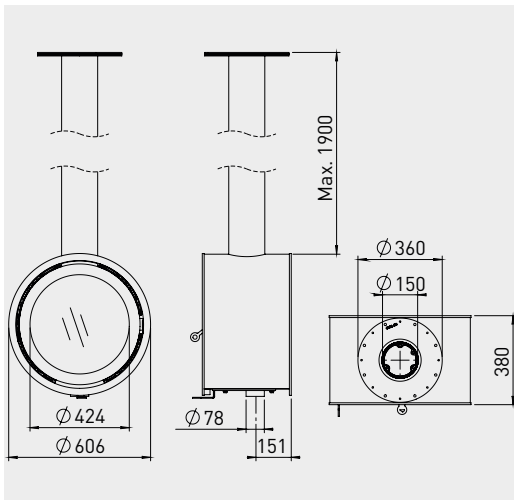


Model	Item no.	Price (€)
Bora Corner, left	1066498	3,965.55
Bora Corner, right	1066499	3,965.55
Bora Corner, left, RS (no DIBt), external air bottom	1066543	4,345.38
Bora Corner, right, RS (no DIBt), external air bottom	1066542	4,345.38

Required component	Description	Item no.	Price (€)
Floating Plateau	L: 1200 x W: 450 x H: 300 mm not for Bora Corner with external air bottom	1071425	1,068.07
Flue gas tube	Conical flue gas outlet \varnothing 150 mm	1083105	78.15

Accessories	Description	Item no.	Price (€)
Set for external air connection	Bottom connection	1066505	71.43

Odin Fixed

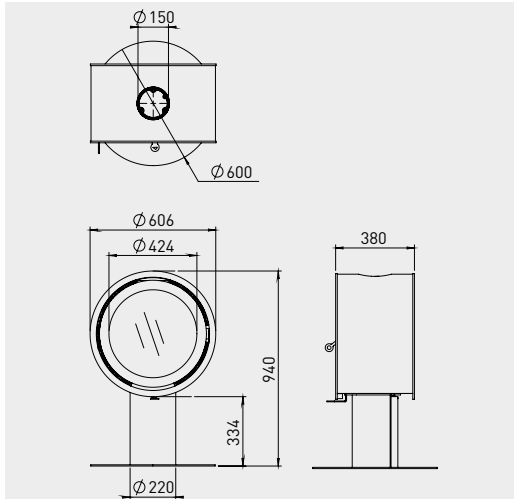


Model	Item no.	Price (€)
Odin Fixed	1056506	4,230.25

Required component	Description	Item no.	Price (€)
Set of ceiling mounting system	Length 1900 mm	1075258	899.17
	Clarification of the installation as a hanging version must be agreed in advance with the district chimney sweep and approval obtained Custom made (0 - 1900 mm)	1062838	899.17
Flue gas tube	Conical flue gas outlet \varnothing 150 mm	1083105	78.15

Accessories	Description	Item no.	Price (€)
Elevated ash threshold	Elevated ash threshold	1062840	37.82
External air connection	Set for external air connection	1062841	73.11
Telescopic cover pipe	For external air connection (min. 350 mm - max. 550 mm), dark anthracite	1064216	398.32
Cover bend	Cover bend for external air connection, dark anthracite	1062842	398.32

Odin Base

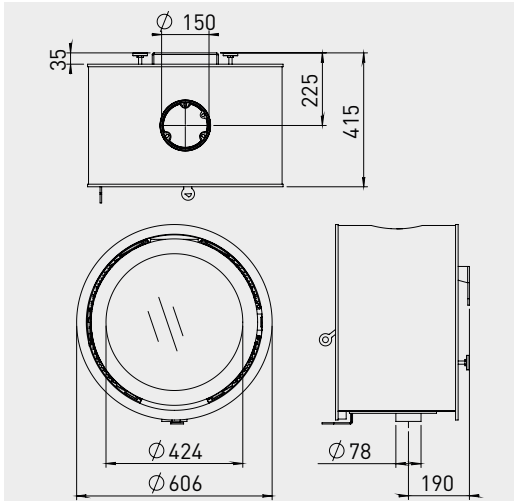


Model	Item no.	Price (€)
Odin Base	1056506	4,230.25

Required component	Description	Item no.	Price (€)
Base	Stand, height: 355 mm, Ø 600 mm Separate combustion air connection possible at the bottom and at the back	1073226	1,008.40
Flue gas tube	Conical flue gas outlet Ø 150 mm	1083105	78.15

Accessories	Description	Item no.	Price (€)
Elevated ash threshold	Elevated ash threshold	1062840	37.82
External air connection	Set for external air connection	1062841	73.11
Telescopic cover pipe	For external air connection (min. 350 mm - max. 550 mm), dark anthracite	1064216	398.32
Cover bend	Cover bend for external air connection, dark anthracite	1062842	398.32

Odin Wall

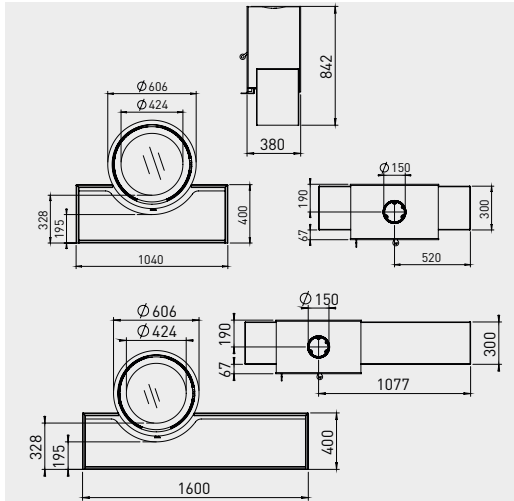


Model	Item no.	Price (€)
Odin Wall	1056506	4,230.25

Required component	Description	Item no.	Price (€)
Mounting kit	Including heat shield flue and flue pipe	1062839	324.37
Flue gas tube	Conical flue gas outlet Ø 150 mm	1083105	78.15

Accessories	Description	Item no.	Price (€)
Elevated ash threshold	Elevated ash threshold	1062840	37.82
External air connection	Set for external air connection	1062841	73.11
Telescopic cover pipe	For external air connection (min. 350 mm - max. 550 mm), dark anthracite	1064216	398.32
Cover bend	Cover bend for external air connection, dark anthracite	1062842	398.32

Odin Plateau

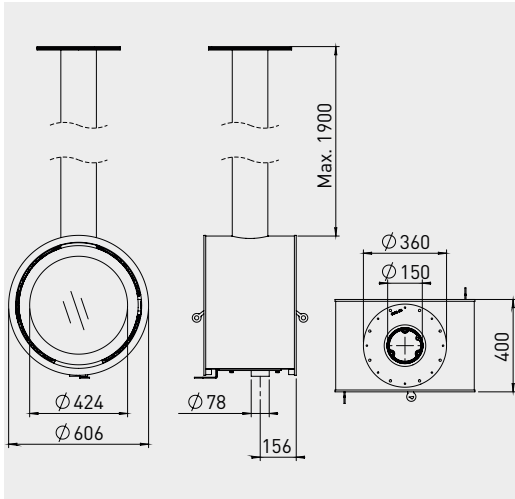


Model	Item no.	Price (€)
Odin Plateau	1056506	4,230.25

Required component	Description	Item no.	Price (€)
Plateau	Plateau 104 L: 1040 x W: 300 x H: 400 mm	1067726	935.29
	Plateau 160 L: 1600 x B: 300 x H: 400 mm	1060724	968.07
	Custom made L: 800 - 2200 x W: 300 x H: 350 - 450 mm	1064192	1,833.61
Flue gas tube	Conical flue gas outlet Ø 150 mm	1083105	78.15

Accessories	Description	Item no.	Price (€)
Elevated ash threshold	Elevated ash threshold	1062840	37.82
External air connection	Set for external air connection	1062841	73.11
Telescopic cover pipe	For external air connection (min. 350 mm - max. 550 mm), dark anthracite	1064216	398.32
Cover bend	Cover bend for external air connection, dark anthracite	1062842	398.32

Odin Tunnel Fixed

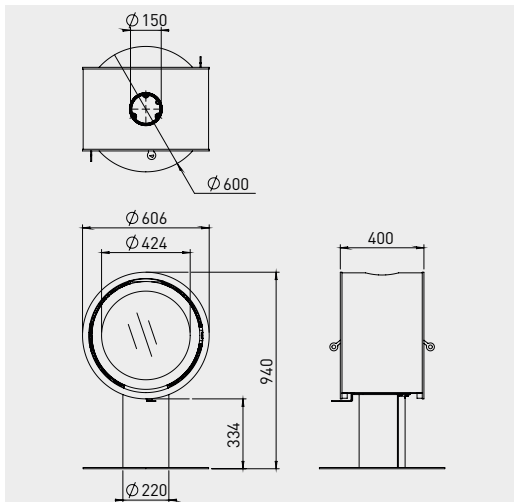


Model	Item no.	Price (€)
Odin Tunnel Fixed	1056507	4,685.71

Required component	Description	Item no.	Price (€)
Set of ceiling mounting system Clarification of the installation as a hanging version must be agreed in advance with the district chimney sweep and approval obtained	Length 1900 mm	1075258	899.17
	Custom made (0 - 1900 mm)	1062838	899.17
Flue gas tube	Conical flue gas outlet Ø 150 mm	1083105	78.15

Accessories	Description	Item no.	Price (€)
Elevated ash threshold	Elevated ash threshold	1062840	37.82
External air connection	Set for external air connection	1062841	73.11
Telescopic cover pipe	For external air connection (min. 350 mm - max. 550 mm), dark anthracite	1064216	398.32
Cover bend	Cover bend for external air connection, dark anthracite	1062842	398.32

Odin Tunnel Base

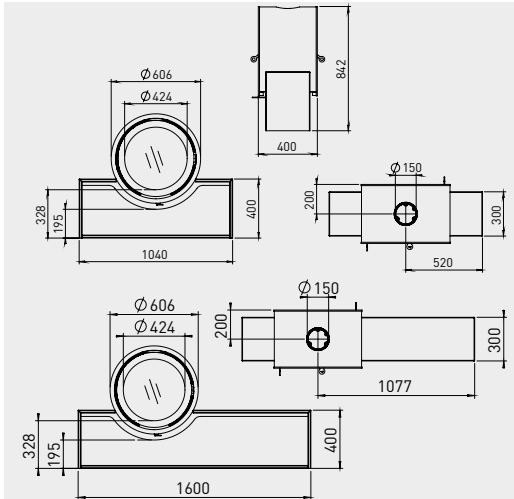


Model	Item no.	Price (€)
Odin Tunnel Base	1056507	4,685.71

Required component	Description	Item no.	Price (€)
Base	Stand, height: 355 mm, Ø 600 mm Separate combustion air connection possible at the bottom and at the back	1073226	1,008.40
Flue gas tube	Conical flue gas outlet Ø 150 mm	1083105	78.15

Accessories	Description	Item no.	Price (€)
Elevated ash threshold	Elevated ash threshold	1062840	37.82
External air connection	Set for external air connection	1062841	73.11
Telescopic cover pipe	For external air connection (min. 350 mm - max. 550 mm), dark anthracite	1064216	398.32
Cover bend	Cover bend for external air connection, dark anthracite	1062842	398.32

Odin Tunnel Plateau

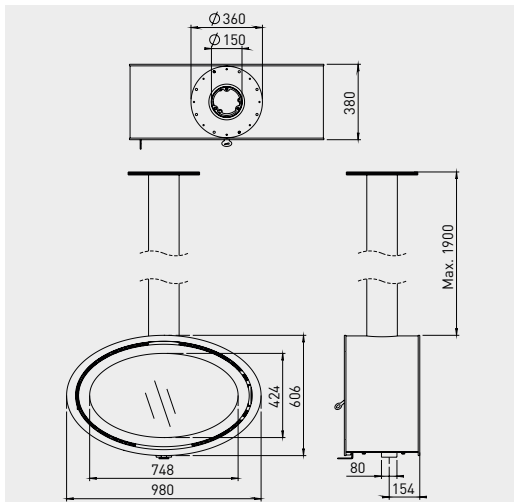


Model	Item no.	Price (€)
Odin Tunnel Plateau	1056507	4,685.71

Required component	Description	Item no.	Price (€)
Plateau	Plateau 104 L: 1040 x W: 300 x H: 400 mm	1067726	935.29
	Plateau 160 L: 1600 x B: 300 x H: 400 mm	1060724	968.07
	Custom made L: 800 - 2200 x W: 300 x H: 350 - 450 mm	1064192	1,833.61
Flue gas tube	Conical flue gas outlet Ø 150 mm	1083105	78.15

Accessories	Description	Item no.	Price (€)
Elevated ash threshold	Elevated ash threshold	1062840	37.82
External air connection	Set for external air connection	1062841	73.11
Telescopic cover pipe	For external air connection (min. 350 mm - max. 550 mm), dark anthracite	1064216	398.32
Cover bend	Cover bend for external air connection, dark anthracite	1062842	398.32

Oval Fixed

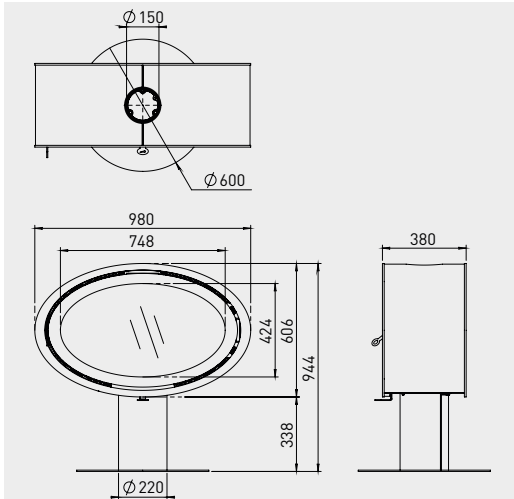


Model	Item no.	Price (€)
Oval Fixed	1079324	4,515.13
Oval Fixed, RS (no DIBt)	1079325	4,955.46

Required component	Description	Item no.	Price (€)
Set of ceiling mounting system	Length 1900 mm	1081128	899.17
	Clarification of the installation as a hanging version must be agreed in advance with the district chimney sweep and approval obtained	Custom made (0 - 1900 mm)	1081129
Flue gas tube	Conical flue gas outlet Ø 150 mm	1083105	78.15

Accessories	Description	Item no.	Price (€)
Elevated ash threshold	Elevated ash threshold	1079389	35.29
External air connection	Set for external air connection	1062841	73.11

Oval Base

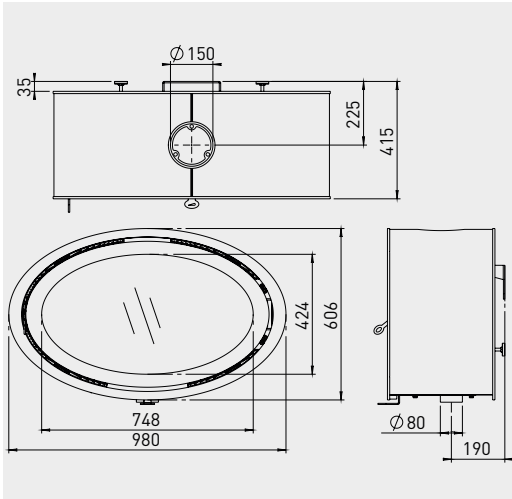


Model	Item no.	Price (€)
Oval Base	1079324	4,515.13
Oval Base, RS (no DIBt)	1079325	4,955.46

Required component	Description	Item no.	Price (€)
Base	Stand, height: 355 mm, Ø 600 mm Separate combustion air connection possible at the bottom and at the back	1073226	1,008.40
Flue gas tube	Conical flue gas outlet Ø 150 mm	1083105	78.15

Accessories	Description	Item no.	Price (€)
Elevated ash threshold	Elevated ash threshold	1079389	35.29
External air connection	Set for external air connection	1062841	73.11

Oval Wall

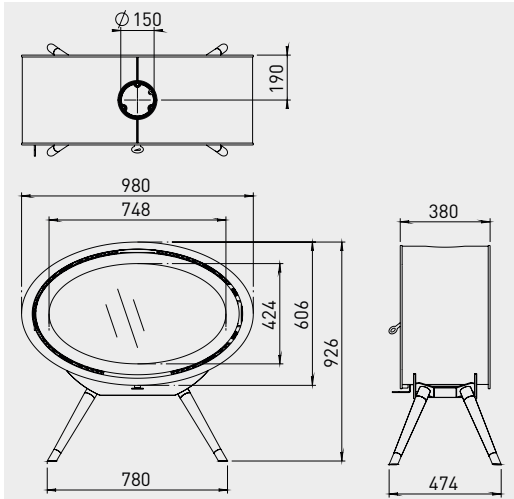


Model	Item no.	Price (€)
Oval Wall	1079324	4,515.13
Oval Wall, RS (no DIBt)	1079325	4,955.46

Required component	Description	Item no.	Price (€)
Mounting kit	Including heat shield flue and flue pipe	1062839	324.37
Flue gas tube	Conical flue gas outlet \varnothing 150 mm	1083105	78.15

Accessories	Description	Item no.	Price (€)
Elevated ash threshold	Elevated ash threshold	1079389	35.29
External air connection	Set for external air connection	1062841	73.11
Telescopic cover pipe	For external air connection (min. 350 mm - max. 550 mm), dark anthracite	1064216	398.32
Cover bend	Cover bend for external air connection, dark anthracite	1062842	398.32

Oval Legs

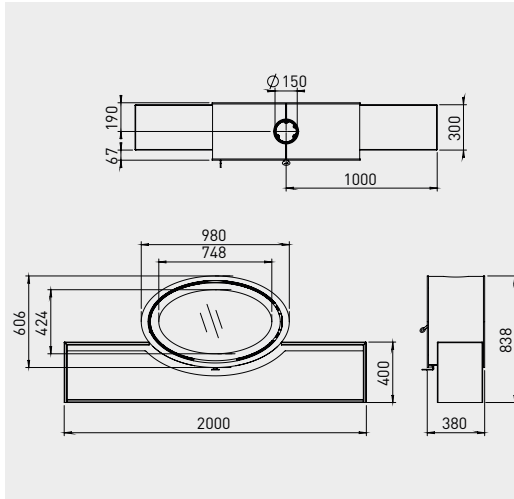


Model	Item no.	Price (€)
Oval Legs	1079324	4,515.13
Oval Legs, RS (no DIBt)	1079325	4,955.46

Required component	Description	Item no.	Price (€)
Legs	L: 780 x W: 474 x H: 385	1079386	830.25
Flue gas tube	Conical flue gas outlet Ø 150 mm	1083105	78.15

Accessories	Description	Item no.	Price (€)
Elevated ash threshold	Elevated ash threshold	1079389	35.29
External air connection	Set for external air connection	1062841	73.11

Oval Plateau

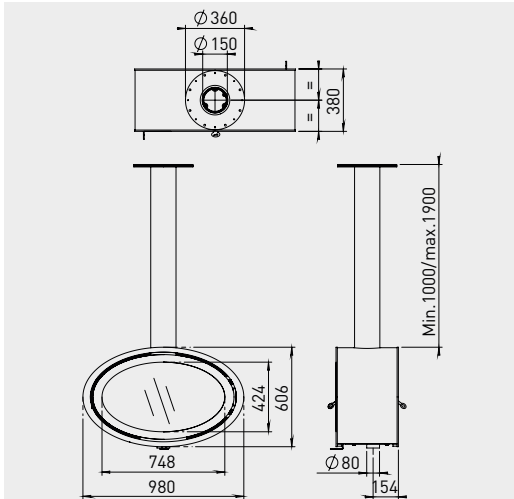


Model	Item no.	Price (€)
Oval Plateau	1079324	4,515.13
Oval Plateau, RS (no DIBt)	1079325	4,955.46

Required component	Description	Item no.	Price (€)
Plateau	L: 2000 x W: 300 x H: 400 mm	1079387	1,348.74
	Custom made L: 1200 - 2200 x W: 300 x H: 350 - 450 mm	1079390	2,211.76
Flue gas tube	Conical flue gas outlet Ø 150 mm	1083105	78.15

Accessories	Description	Item no.	Price (€)
Elevated ash threshold	Elevated ash threshold	1079389	35.29
External air connection	Set for external air connection	1062841	73.11

Oval Tunnel Fixed

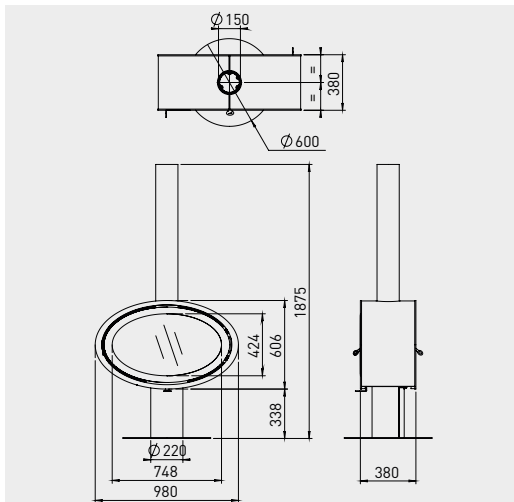


Model	Item no.	Price (€)
Oval Tunnel Fixed	1080526	6,040.34
Oval Tunnel Fixed, RS (no DIBt)	1080527	6,480.67

Required component	Description	Item no.	Price (€)
Set of ceiling mounting system Clarification of the installation as a hanging version must be agreed in advance with the district chimney sweep and approval obtained	Length 1900 mm	1081128	899.17
	Custom made (0 - 1900 mm)	1081129	899.17
Flue gas tube	Conical flue gas outlet Ø 150 mm	1083105	78.15

Accessories	Description	Item no.	Price (€)
Elevated ash threshold	Elevated ash threshold - 2 pieces needed	1079389	35.29
External air connection	Set for external air connection	1062841	73.11

Oval Tunnel Base

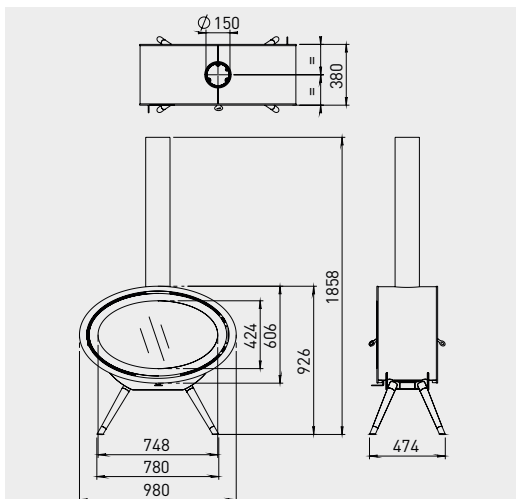


Model	Item no.	Price (€)
Oval Tunnel Base	1080526	6,040.34
Oval Tunnel Base, RS (no DIBt)	1080527	6,480.67

Required component	Description	Item no.	Price (€)
Base	Stand, height: 355 mm, Ø 600 mm Separate combustion air connection possible at the bottom and at the back	1073226	1,008.40
Flue gas tube	Conical flue gas outlet Ø 150 mm	1083105	78.15

Accessories	Description	Item no.	Price (€)
Elevated ash threshold	Elevated ash threshold - 2 pieces needed	1079389	35.29
External air connection	Set for external air connection	1062841	73.11

Oval Tunnel Legs

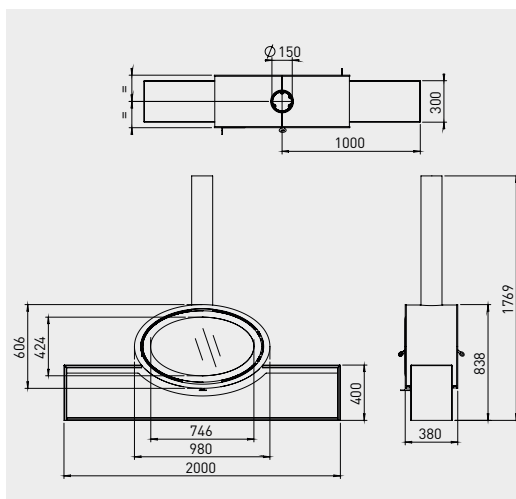


Model	Item no.	Price (€)
Oval Tunnel Legs	1080526	6,040.34
Oval Tunnel Legs, RS (no DIBt)	1080527	6,480.67

Required component	Description	Item no.	Price (€)
Legs	L: 780 x W: 474 x H: 385	1079386	830.25
Flue gas tube	Conical flue gas outlet Ø 150 mm	1083105	78.15

Accessories	Description	Item no.	Price (€)
Elevated ash threshold	Elevated ash threshold - 2 pieces needed	1079389	35.29
External air connection	Set for external air connection	1062841	73.11

Oval Tunnel Plateau

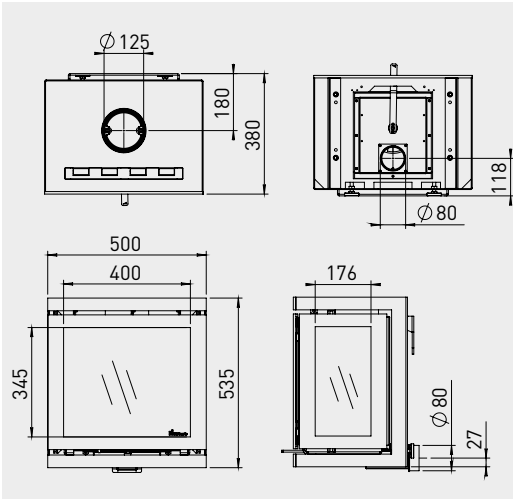


Model	Item no.	Price (€)
Oval Tunnel Plateau	1080526	6,040.34
Oval Tunnel Plateau, RS (no DIBt)	1080527	6,480.67

Required component	Description	Item no.	Price (€)
Plateau	L: 2000 x W: 300 x H: 400 mm	1079387	1,348.74
	Custom made L: 1200 - 2200 x W: 300 x H: 350 - 450 mm	1079390	2,211.76
Flue gas tube	Conical flue gas outlet \varnothing 150 mm	1083105	78.15

Accessories	Description	Item no.	Price (€)
Elevated ash threshold	Elevated ash threshold - 2 pieces needed	1079389	35.29
External air connection	Set for external air connection	1062841	73.11

Vidar Triple Small

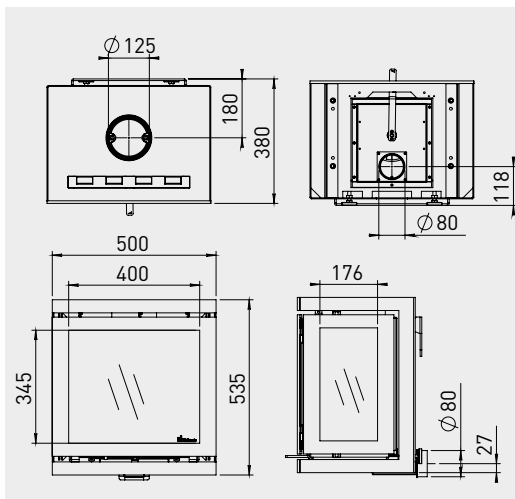


Model	Item no.	Price (€)
Vidar Triple Small	1081467	3,145.38
Vidar Triple Small, RS (no DIBt), external air rear	1081089	3,525.21
Vidar Triple Small, RS (no DIBt), external air bottom	1081090	3,525.21
Vidar Triple Small, Smart Assistent	1085858	3,840.34
Vidar Triple Small, Smart Assistent, RS (no DIBt), external air rear	1085859	4,070.59

Required component	Description	Item no.	Price (€)
Flue gas tube	Conical flue gas outlet \varnothing 130 mm, suitable for models with \varnothing 125 mm flue gas connection	1080723	52.10

Accessories	Description	Item no.	Price (€)
Elevated ash threshold	Elevated ash threshold	1081106	51.26
External air connection	Backward, \varnothing 80 mm	1081100	142.02
	Downward, \varnothing 80 mm	1081099	142.02

Vidar Triple Small Wall

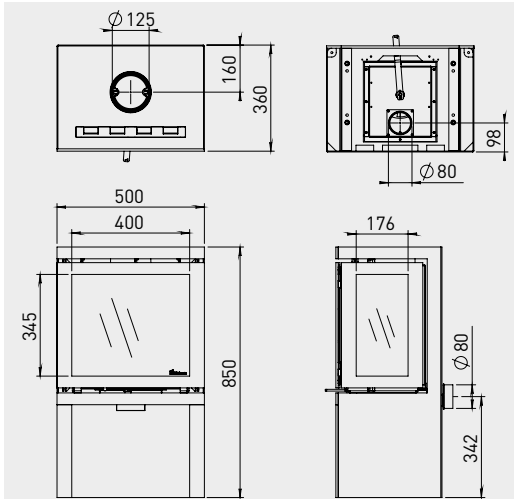


Model	Item no.	Price (€)
Vidar Triple Small Wall	1081467	3,145.38
Vidar Triple Small Wall, RS (no DIBt), external air rear	1081089	3,525.21
Vidar Triple Small Wall, RS (no DIBt), external air bottom	1081090	3,525.21
Vidar Triple Small Wall, Smart Assistent	1085858	3,840.34
Vidar Triple Small Wall, Smart Assistent, RS (no DIBt), external air rear	1085859	4,070.59

Required component	Description	Item no.	Price (€)
Mounting kit		1081102	197.48
Flue gas tube	Conical flue gas outlet Ø 130 mm, suitable for models with Ø 125 mm flue gas connection	1080723	52.10

Accessories	Description	Item no.	Price (€)
Elevated ash threshold	Elevated ash threshold	1081106	51.26
External air connection	Backward, Ø 80 mm	1081100	142.02
	Downward, Ø 80 mm	1081099	142.02

Vidar Triple Small, Store

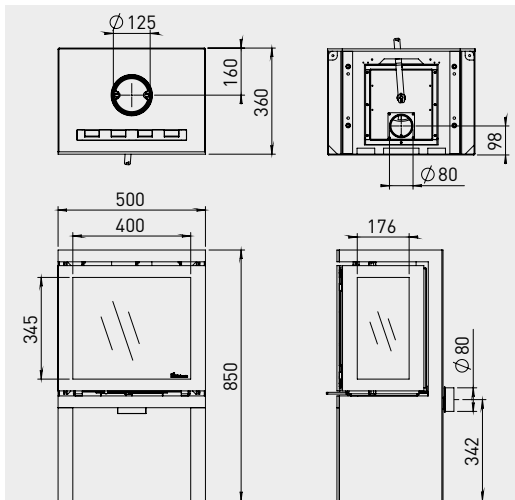


Model	Item no.	Price (€)
Vidar Triple Small, Store	1081468	3,340.34
Vidar Triple Small, Store, RS (no DIBt), external air rear	1081087	3,720.17
Vidar Triple Small, Store, RS (no DIBt), external air bottom	1081088	3,720.17
Vidar Triple Small, Store, Smart Assistent	1085854	4,035.29
Vidar Triple Small, Store, Smart Assistent, RS (no DIBt), external air bottom	1085857	4,265.55

Required component	Description	Item no.	Price (€)
Flue gas tube	Conical flue gas outlet \varnothing 130 mm, suitable for models with \varnothing 125 mm flue gas connection	1080723	52.10

Accessories	Description	Item no.	Price (€)
Elevated ash threshold	Elevated ash threshold	1081106	51.26
External air connection	Backward, \varnothing 80 mm	1081100	142.02
	Downward, \varnothing 80 mm	1081099	142.02
Cover plate	For external air connection	1081104	76.47

Vidar Triple Small, Straight Plateau

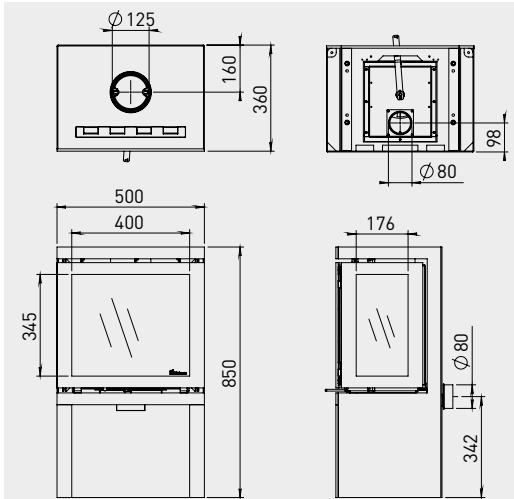


Model	Item no.	Price (€)
Vidar Triple Small, Straight Plateau	1081467	3,145.38
Vidar Triple Small, RS (no DIBt), external air rear, Straight Plateau	1081089	3,525.21
Vidar Triple Small, RS (no DIBt), external air bottom, Straight Plateau	1081090	3,525.21
Vidar Triple Small, Smart Assistent, Straight Plateau	1085858	3,840.34
Vidar Triple Small, Smart Assistent, RS (no DIBt), external air rear, Straight Plateau	1085859	4,070.59

Required component	Description	Item no.	Price (€)
Straight Plateau	Straight Plateau not for Vidar Triple Small with external air bottom	1071423	935.29
	Custom made not for Vidar Triple Small with external air bottom	1071427	1,798.32
Flue gas tube	Conical flue gas outlet \varnothing 130 mm, suitable for models with \varnothing 125 mm flue gas connection	1080723	52.10

Accessories	Description	Item no.	Price (€)
Elevated ash threshold	Elevated ash threshold	1081106	51.26
External air connection	Backward, \varnothing 80 mm	1081100	142.02
	Downward, \varnothing 80 mm	1081099	142.02

Vidar Triple Small, Floating Plateau

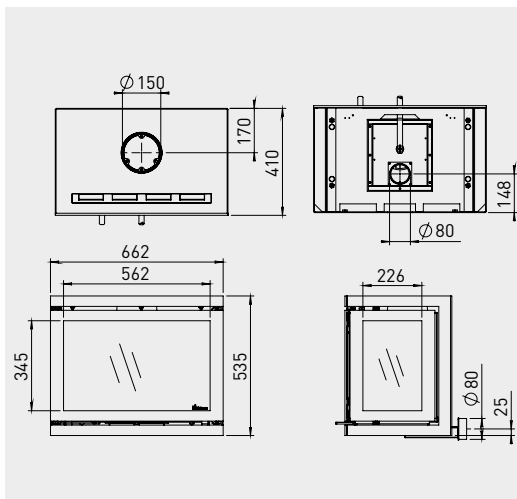


Model	Item no.	Price (€)
Vidar Triple Small, Floating Plateau	1081467	3,145.38
Vidar Triple Small, RS (no DIBt), external air rear, Floating Plateau	1081089	3,525.21
Vidar Triple Small, RS (no DIBt), external air bottom, Floating Plateau	1081090	3,525.21
Vidar Triple Small, Smart Assistent, Floating Plateau	1085858	3,840.34
Vidar Triple Small, Smart Assistent, RS (no DIBt), external air rear, Floating Plateau	1085859	4,070.59

Required component	Description	Item no.	Price (€)
Floating Plateau	L: 1200 x W: 450 x H: 300 mm not for Vidar Triple Small with external air bottom	1071425	1,068.07
Flue gas tube	Conical flue gas outlet \varnothing 130 mm, suitable for models with \varnothing 125 mm flue gas connection	1080723	52.10

Accessories	Description	Item no.	Price (€)
Elevated ash threshold	Elevated ash threshold	1081106	51.26
External air connection	Backward, \varnothing 80 mm	1081100	142.02
	Downward, \varnothing 80 mm	1081099	142.02

Vidar Triple Medium

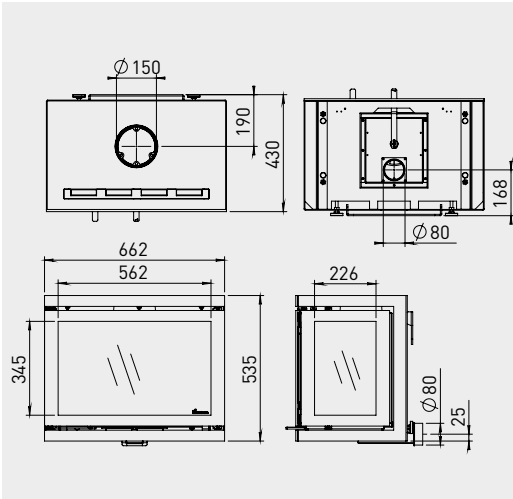


Model	Item no.	Price (€)
Vidar Triple Medium	1081465	3,245.38
Vidar Triple Medium, RS (no DIBt), external air rear	1081096	3,625.21
Vidar Triple Medium, RS (no DIBt), external air bottom	1081097	3,625.21
Vidar Triple Medium, Smart Assistent	1085864	3,940.34
Vidar Triple Medium, Smart Assistent, RS (no DIBt), external air rear	1085865	4,170.59

Required component	Description	Item no.	Price (€)
Flue gas tube	Conical flue gas outlet Ø 150 mm	1083105	78.15

Accessories	Description	Item no.	Price (€)
Elevated ash threshold	Elevated ash threshold	1081107	61.34
External air connection	Backward, Ø 80 mm	1081101	142.02
	Downward, Ø 80 mm	1081099	142.02

Vidar Triple Medium Wall

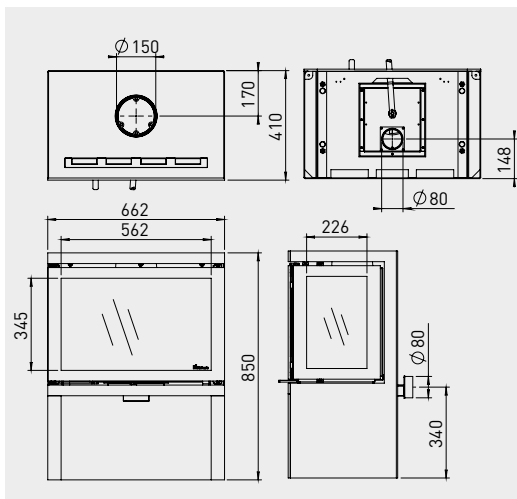


Model	Item no.	Price (€)
Vidar Triple Medium Wall	1081465	3,245.38
Vidar Triple Medium Wall, RS (no DIBt), external air rear	1081096	3,625.21
Vidar Triple Medium Wall, RS (no DIBt), external air bottom	1081097	3,625.21
Vidar Triple Medium Wall, Smart Assistent	1085864	3,940.34
Vidar Triple Medium Wall, Smart Assistent, RS (no DIBt), external air rear	1085865	4,170.59

Required component	Description	Item no.	Price (€)
Mounting kit		1081102	197.48
Flue gas tube	Conical flue gas outlet Ø 150 mm	1083105	78.15

Accessories	Description	Item no.	Price (€)
Elevated ash threshold	Elevated ash threshold	1081107	61.34
External air connection	Backward, Ø 80 mm	1081101	142.02
	Downward, Ø 80 mm	1081099	142.02

Vidar Triple Medium, Store

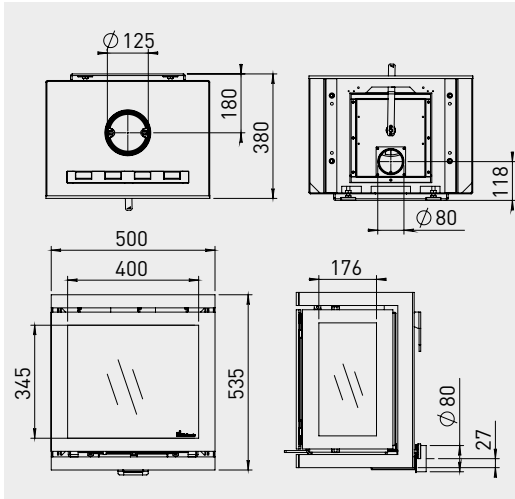


Model	Item no.	Price (€)
Vidar Triple Medium, Store	1081466	3,440.34
Vidar Triple Medium, Store, RS (no DIBt), external air rear	1081094	3,820.17
Vidar Triple Medium, Store, RS (no DIBt), external air bottom	1081095	3,820.17
Vidar Triple Medium, Store, Smart Assistent	1085860	4,135.29
Vidar Triple Medium, Store, Smart Assistent, RS (no DIBt), external air rear	1085863	4,365.55

Required component	Description	Item no.	Price (€)
Flue gas tube	Conical flue gas outlet \varnothing 150 mm	1083105	78.15

Accessories	Description	Item no.	Price (€)
Elevated ash threshold	Elevated ash threshold	1081107	61.34
External air connection	Backward, \varnothing 80 mm	1081101	142.02
	Downward, \varnothing 80 mm	1081099	142.02
Cover plate	For external air connection	1081105	86.55

Vidar Triple Medium, Straight Plateau

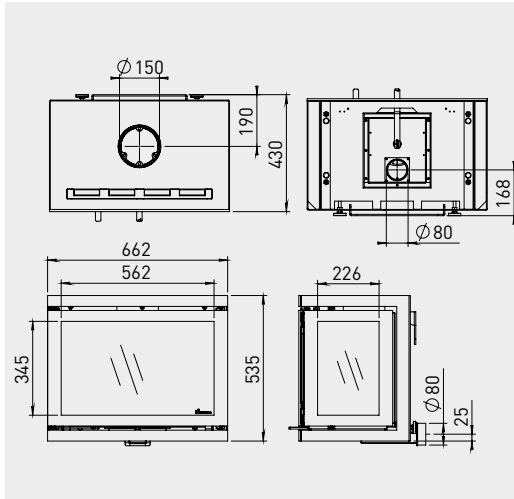


Model	Item no.	Price (€)
Vidar Triple Medium, Straight Plateau	1081465	3,245.38
Vidar Triple Medium, RS (no DIBt), external air rear, Straight Plateau	1081096	3,625.21
Vidar Triple Medium, RS (no DIBt), external air bottom, Straight Plateau	1081097	3,625.21
Vidar Triple Medium, Smart Assistent, Straight Plateau	1085864	3,940.34
Vidar Triple Medium, Smart Assistent, RS (no DIBt), external air rear, Straight Plateau	1085865	4,170.59

Required component	Description	Item no.	Price (€)
Straight Plateau	Straight Plateau not for Vidar Triple Small with external air bottom	1071423	935.29
	Custom made not for Vidar Triple Small with external air bottom	1071427	1,798.32
Flue gas tube	Conical flue gas outlet \varnothing 150 mm	1083105	78.15

Accessories	Description	Item no.	Price (€)
Elevated ash threshold	Elevated ash threshold	1081107	61.34
External air connection	Backward, \varnothing 80 mm	1081101	142.02
	Downward, \varnothing 80 mm	1081099	142.02

Vidar Triple Medium, Floating Plateau

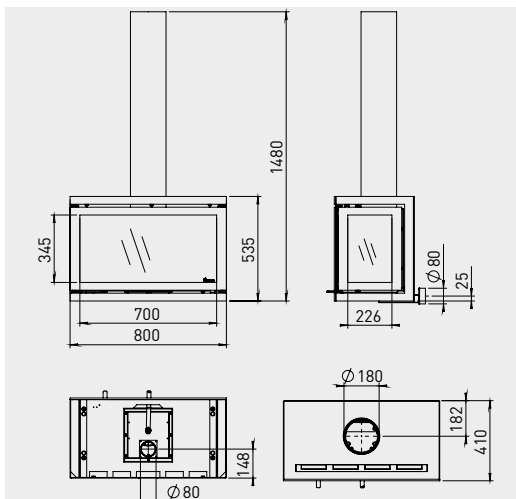


Model	Item no.	Price (€)
Vidar Triple Medium, Floating Plateau	1081465	3,245.38
Vidar Triple Medium, RS (no DIBt), external air rear, Floating Plateau	1081096	3,625.21
Vidar Triple Medium, RS (no DIBt), external air bottom, Floating Plateau	1081097	3,625.21
Vidar Triple Medium, Smart Assistent, Floating Plateau	1085864	3,940.34
Vidar Triple Medium, Smart Assistent, RS (no DIBt), external air rear, Floating Plateau	1085865	4,170.59

Required component	Description	Item no.	Price (€)
Floating Plateau	L: 1200 x W: 450 x H: 300 mm not for Vidar Triple Small with external air bottom	1071425	1,068.07
Flue gas tube	Conical flue gas outlet \varnothing 150 mm	1083105	78.15

Accessories	Description	Item no.	Price (€)
Elevated ash threshold	Elevated ash threshold	1081107	61.34
External air connection	Backward, \varnothing 80 mm	1081101	142.02
	Downward, \varnothing 80 mm	1081099	142.02

Vidar Triple Large

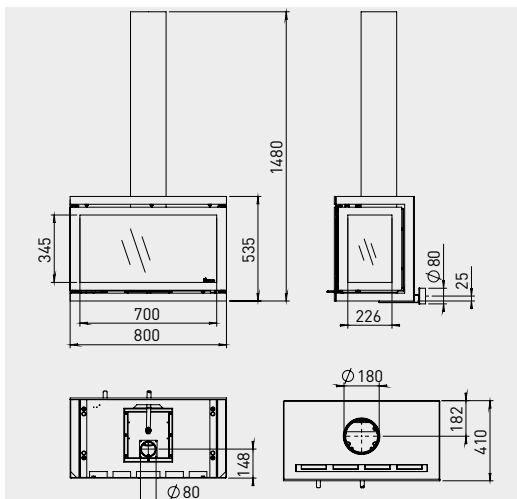


Model	Item no.	Price (€)
Vidar Triple Large	1083273	3,345.38
Vidar Triple Large, RS (no DIBt), external air rear	1083102	3,725.21
Vidar Triple Large, RS (no DIBt), external air bottom	1083103	3,725.21
Vidar Triple Large, Smart Assistent	1085871	4,040.34
Vidar Triple Large, Smart Assistent, RS (no DIBt), external air rear	1085872	4,270.59

Required component	Description	Item no.	Price (€)
Flue gas tube	Conical flue gas outlet Ø 180 mm	1034110	78.15

Accessories	Description	Item no.	Price (€)
Elevated ash threshold	Elevated ash threshold	1081107	61.34
External air connection	Backward, Ø 80 mm	1081101	142.02
	Downward, Ø 80 mm	1081099	142.02

Vidar Triple Large Wall

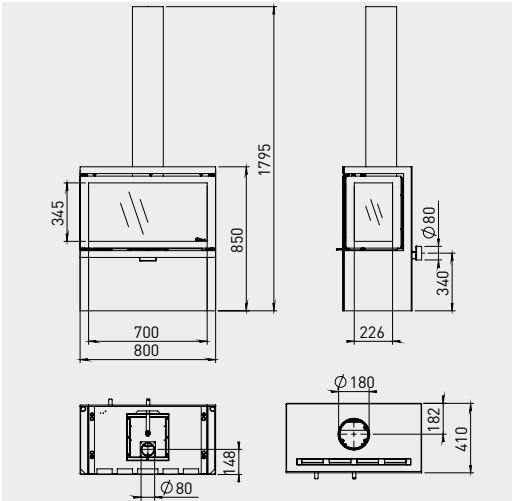


Model	Item no.	Price (€)
Vidar Triple Large Wall	1083273	3,345.38
Vidar Triple Large Wall, RS (no DIBt), external air rear	1083102	3,725.21
Vidar Triple Large Wall, RS (no DIBt), external air bottom	1083103	3,725.21
Vidar Triple Large Wall, Smart Assistent	1085871	4,040.34
Vidar Triple Large Wall, Smart Assistent, RS (no DIBt), external air rear	1085872	4,270.59

Required component	Description	Item no.	Price (€)
Mounting kit		1081102	197.48
Flue gas tube	Conical flue gas outlet $\varnothing 180$ mm	1034110	78.15

Accessories	Description	Item no.	Price (€)
Elevated ash threshold	Elevated ash threshold	1081107	61.34
External air connection	Backward, $\varnothing 80$ mm	1081101	142.02
	Downward, $\varnothing 80$ mm	1081099	142.02

Vidar Triple Large, Store

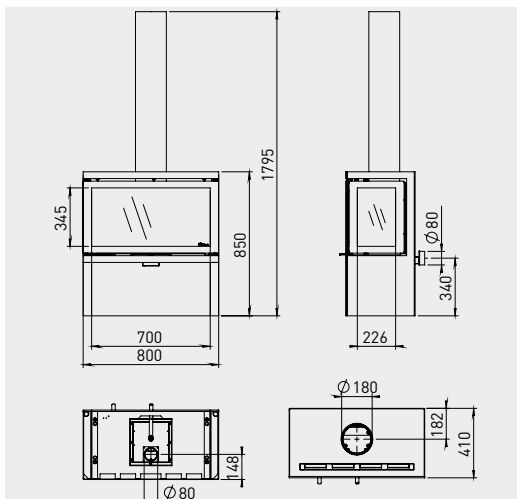


Model	Item no.	Price (€)
Vidar Triple Large, Store	1083272	3,540.34
Vidar Triple Large, Store, RS (no DIBt), external air rear	1083100	3,920.17
Vidar Triple Large, Store, RS (no DIBt), external air bottom	1083101	3,920.17
Vidar Triple Large, Store, Smart Assistent	1085868	4,235.29
Vidar Triple Large, Store, Smart Assistent, RS (no DIBt), external air rear	1085870	4,465.55

Required component	Description	Item no.	Price (€)
Flue gas tube	Conical flue gas outlet \varnothing 180 mm	1034110	78.15

Accessories	Description	Item no.	Price (€)
Elevated ash threshold	Elevated ash threshold	1081107	61.34
External air connection	Backward, \varnothing 80 mm	1081101	142.02
	Downward, \varnothing 80 mm	1081099	142.02
Cover plate	For external air connection	1083106	96.64

Vidar Triple Large, Straight Plateau

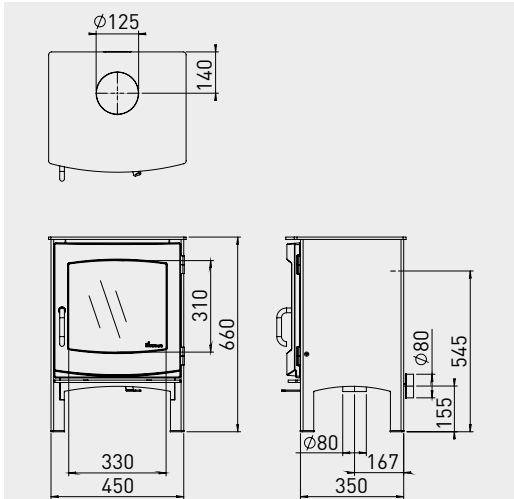


Model	Item no.	Price (€)
Vidar Triple Large, Straight Plateau	1083273	3,345.38
Vidar Triple Large, RS (no DIBt), external air rear, Straight Plateau	1083102	3,725.21
Vidar Triple Large, RS (no DIBt), external air bottom, Straight Plateau	1083103	3,725.21
Vidar Triple Large, Store, Smart Assistent, Straight Plateau	1085871	4,040.34
Vidar Triple Large, Store, Smart Assistent, RS (no DIBt), external air rear, Straight Plateau	1085872	4,270.59

Required component	Description	Item no.	Price (€)
Straight Plateau	Straight Plateau not for Vidar Triple Small with external air bottom	1071423	935.29
	Custom made not for Vidar Triple Small with external air bottom	1071427	1,798.32
Flue gas tube	Conical flue gas outlet \varnothing 180 mm	1034110	78.15

Accessories	Description	Item no.	Price (€)
Elevated ash threshold	Elevated ash threshold	1081107	61.34
External air connection	Backward, \varnothing 80 mm	1081101	142.02
	Downward, \varnothing 80 mm	1081099	142.02

Ivar 5, High

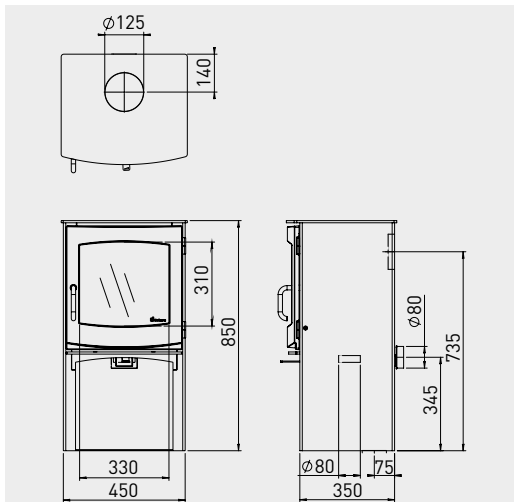


Model	Item no.	Price (€)
Ivar 5, High	1034044	1,885.71

Required component	Description	Item no.	Price (€)
Flue gas tube	Conical flue gas outlet \varnothing 130 mm, suitable for models with \varnothing 125 mm flue gas connection	1080723	52.10

Accessories	Description	Item no.	Price (€)
Heat shield stove	Installation in front of a combustible wall	1062845	104.20
External air connection	\varnothing 80 mm	1034047	140.34

Ivar 5, Store

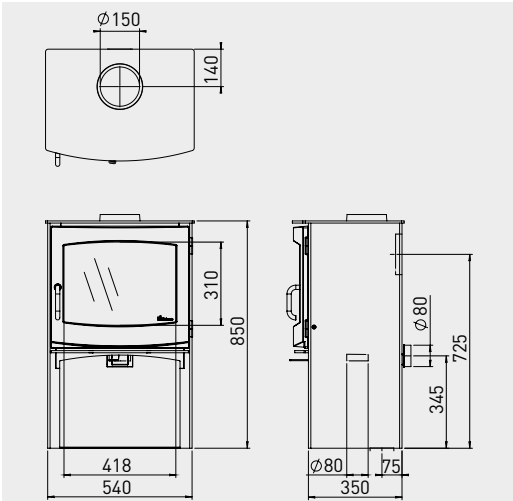


Model	Item no.	Price (€)
Ivar 5, Store	1062863	2,040.34

Required component	Description	Item no.	Price (€)
Flue gas tube	Conical flue gas outlet \varnothing 130 mm, suitable for models with \varnothing 125 mm flue gas connection	1080723	52.10

Accessories	Description	Item no.	Price (€)
Heat shield stove	Installation in front of a combustible wall	1062845	104.20
External air connection	\varnothing 80 mm	1034047	140.34

Ivar 8, Store

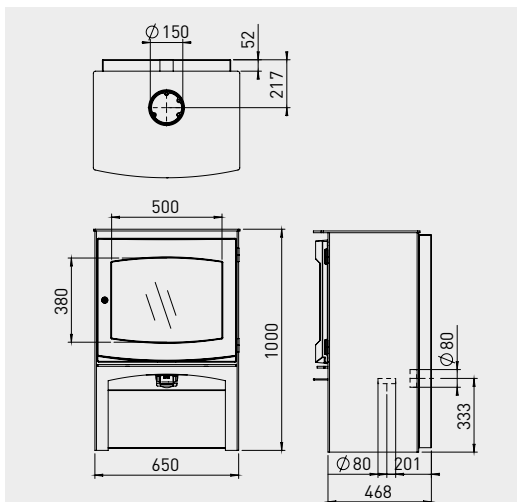


Model	Item no.	Price (€)
Ivar 8, Store	1045868	2,230.25

Required component	Description	Item no.	Price (€)
Flue gas tube	Conical flue gas outlet \varnothing 150 mm	1083105	78.15

Accessories	Description	Item no.	Price (€)
Heat shield stove	Installation in front of a combustible wall	1062870	246.22
External air connection	\varnothing 80 mm	1034047	140.34

Ivar 10 H₂O, Store

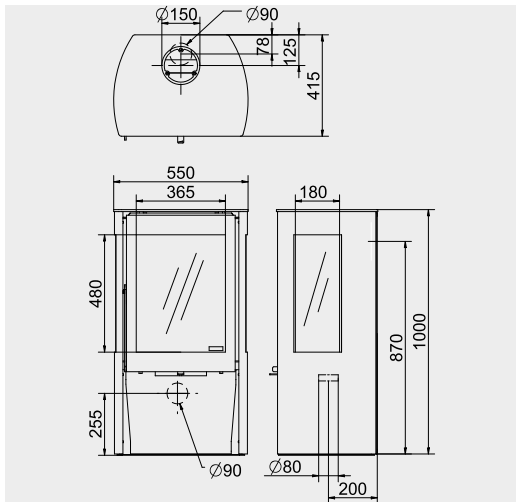


Model	Item no.	Price (€)
Ivar 10 H ₂ O, Store	1081081	4,335.29
Ivar 10 H ₂ O, Store, RS (no DIBt), external air rear	1081082	4,775.63
Ivar 10 H ₂ O, Store, RS (no DIBt), external air bottom	1081086	4,775.63

Required component	Description	Item no.	Price (€)
Pump thermostat	Pump thermostat with capillary sensor	1081075	78.15
Flue gas tube	Conical flue gas outlet Ø 150 mm	1083105	78.15

Accessories	Description	Item no.	Price (€)
External air connection	External air connection, Ø 80 mm	1081098	133.61

Kalle

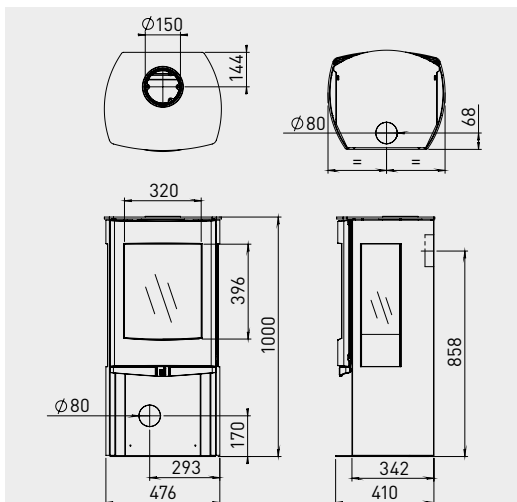


Model	Item no.	Price (€)
Kalle	1066546	3,890.76

Required component	Description	Item no.	Price (€)
Flue gas tube	Conical flue gas outlet Ø 150 mm	1083105	78.15

Accessories	Description	Item no.	Price (€)
Top plate dark	Anthracite, with rear connection	1034057	249.58

Folke

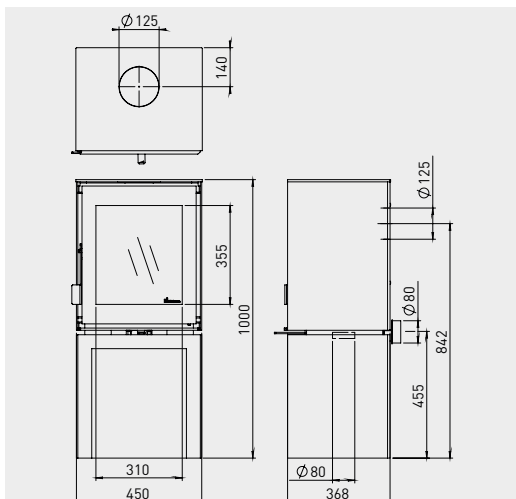


Model	Item no.	Price (€)
Folke	1066544	3,150.42
Folke, RS (no DIBt), external air rear	1073208	3,530.25
Folke, RS (no DIBt), external air bottom	1066545	3,530.25
Folke, Smart Assistent	1085882	3,845.38
Folke, Smart Assist, RS (no DIBt), external air rear	1085881	4,075.63
Folke, Smart Assist, RS (no DIBt), external air bottom	1085880	4,075.63

Required component	Description	Item no.	Price (€)
Flue gas tube	Conical flue gas outlet Ø 150 mm	1083105	78.15

Accessories	Description	Item no.	Price (€)
Heat shield stove	Installation in front of a combustible wall	1062848	245.38
External air connection	Ø 80 mm	1062849	140.34
Cover plate	For external air connection	1062850	166.39

Modivar 5, Store Front

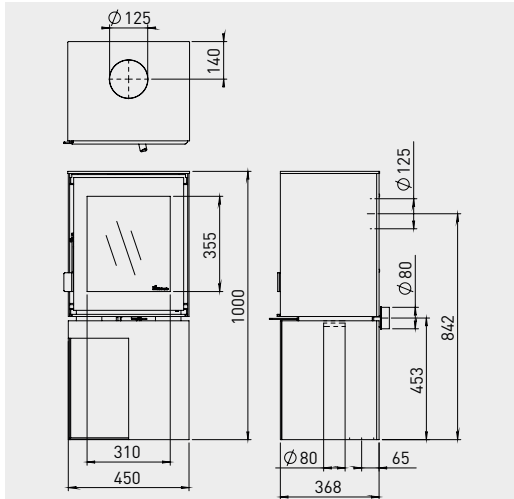


Model	Item no.	Price (€)
Modivar 5	1064202	2,170.59

Required component	Description	Item no.	Price (€)
Wood compartment	Front	1064204	319.33
Flue gas tube	Conical flue gas outlet \varnothing 130 mm, suitable for models with \varnothing 125 mm flue gas connection	1080723	52.10

Accessories	Description	Item no.	Price (€)
Heat shield stove	Installation in front of a combustible wall	1062845	104.20
External air connection	\varnothing 80 mm	1065097	137.82
Adjustable foot	Set of 4, M8 x 30 for installation as free-standing fireplace, without wood compartment or plateau	1065096	39.50

Modivar 5, Store Corner

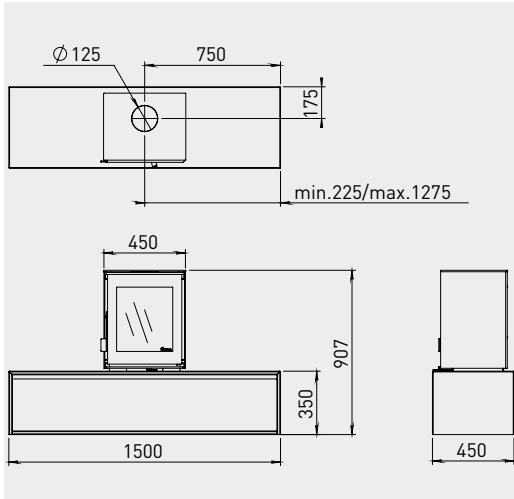


Model	Item no.	Price (€)
Modivar 5	1064202	2,170.59

Required component	Description	Item no.	Price (€)
Wood compartment	Left	1075254	378.15
Flue gas tube	Conical flue gas outlet \varnothing 130 mm, suitable for models with \varnothing 125 mm flue gas connection	1080723	52.10

Accessories	Description	Item no.	Price (€)
Heat shield stove	Installation in front of a combustible wall	1062845	104.20
External air connection	\varnothing 80 mm	1065097	137.82
Adjustable foot	Set of 4, M8 x 30 for installation as free-standing fireplace, without wood compartment or plateau	1065096	39.50

Modivar 5, Straight Plateau

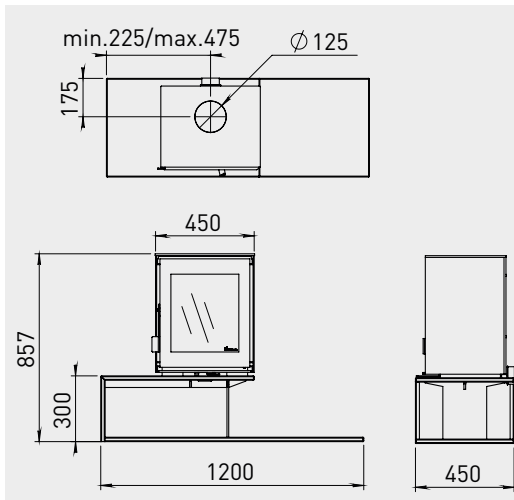


Model	Item no.	Price (€)
Modivar 5	1064202	2,170.59

Required component	Description	Item no.	Price (€)
Straight Plateau	Straight Plateau	1071423	935.29
	Custom made	1071427	1,798.32
Flue gas tube	Conical flue gas outlet Ø 130 mm, suitable for models with Ø 125 mm flue gas connection	1080723	52.10

Accessories	Description	Item no.	Price (€)
Heat shield stove	Installation in front of a combustible wall	1062845	104.20
External air connection	Ø 80 mm	1065097	137.82
Adjustable foot	Set of 4, M8 x 30 for installation as free-standing fireplace, without wood compartment or plateau	1065096	39.50

Modivar 5, Floating Plateau

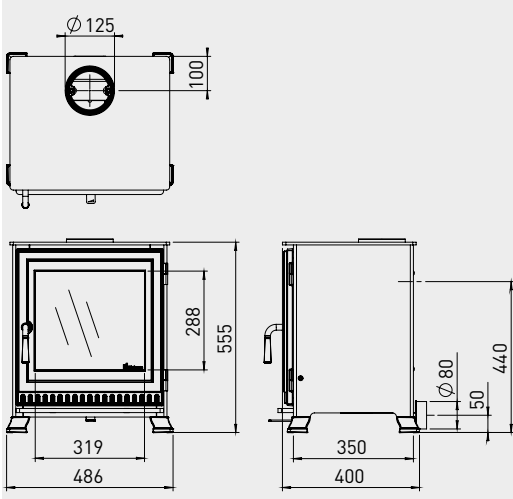


Model	Item no.	Price (€)
Modivar 5	1064202	2,170.59

Required component	Description	Item no.	Price (€)
Floating Plateau	L: 1200 x W: 450 x H: 300 mm	1071425	1,068.07
Flue gas tube	Conical flue gas outlet \varnothing 130 mm, suitable for models with \varnothing 125 mm flue gas connection	1080723	52.10

Accessories	Description	Item no.	Price (€)
Heat shield stove	Installation in front of a combustible wall	1062845	104.20
External air connection	\varnothing 80 mm	1065097	137.82
Adjustable foot	Set of 4, M8 x 30 for installation as free-standing fireplace, without wood compartment or plateau	1065096	39.50

Aste 5

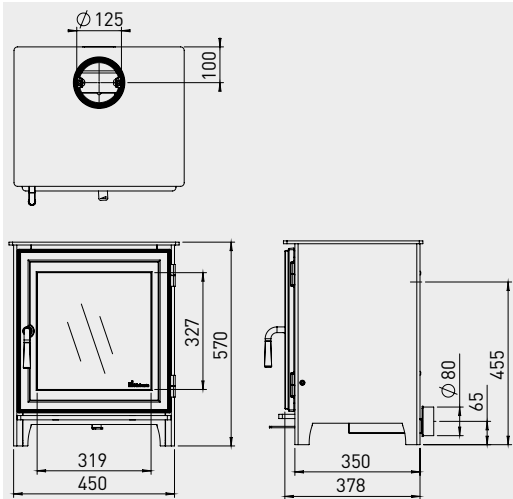


Model	Item no.	Price (€)
Aste 5, Low, EA	1062843	1,945.38
Aste 5, Low, RS (no DIBt)	1062844	2,385.71
Aste 5, Low, RS (no DIBt), external air rear	1073206	2,385.71

Required component	Description	Item no.	Price (€)
Flue gas tube	Conical flue gas outlet \varnothing 130 mm, suitable for models with \varnothing 125 mm flue gas connection	1080723	52.10

Accessories	Description	Item no.	Price (€)
Heat shield stove	Installation in front of a combustible wall	1062845	104.20
External air connection	\varnothing 80 mm	1034047	140.34

Soren 5

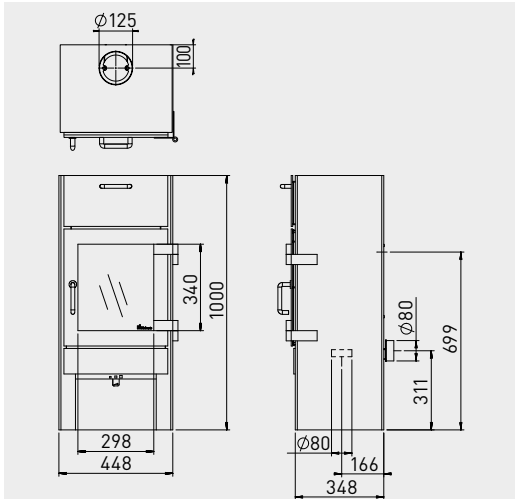


Model	Item no.	Price (€)
Soren 5, Low	1073204	1,945.38
Soren 5, Low, RS (no DIBt), external air rear	1073205	2,385.71
Soren 5, Low, RS (no DIBt), external air rear, external air rear	1073207	2,385.71

Required component	Description	Item no.	Price (€)
Flue gas tube	Conical flue gas outlet \varnothing 130 mm, suitable for models with \varnothing 125 mm flue gas connection	1080723	52.10

Accessories	Description	Item no.	Price (€)
Heat shield stove	Installation in front of a combustible wall	1062845	104.20
External air connection	\varnothing 80 mm	1034047	140.34

Lars 1000

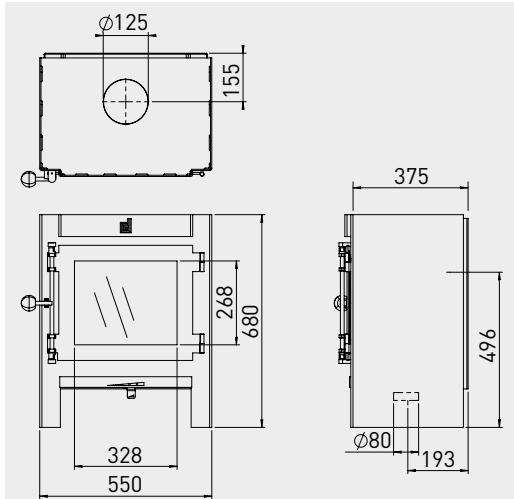


Model	Item no.	Price (€)
Lars 1000	1066204	2,245.38

Required component	Description	Item no.	Price (€)
Flue gas tube	Conical flue gas outlet \varnothing 130 mm, suitable for models with \varnothing 125 mm flue gas connection	1080723	52.10

Accessories	Description	Item no.	Price (€)
Heat shield stove	Installation in front of a combustible wall	1062845	104.20
External air connection	\varnothing 80 mm	1034047	140.34

Jannik Medium, Low

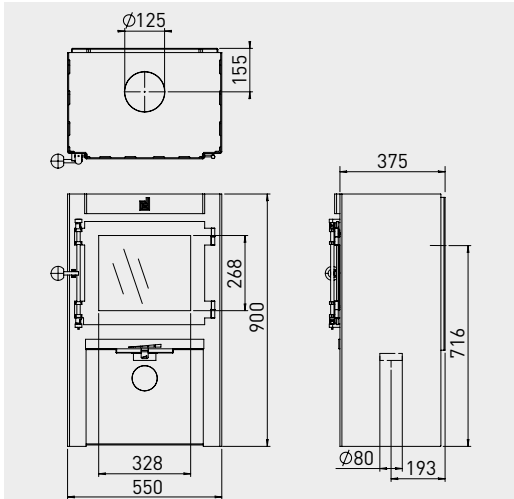


Model	Item no.	Price (€)
Jannik Medium, Low	1034050	2,270.59

Required component	Description	Item no.	Price (€)
Flue gas tube	Conical flue gas outlet $\varnothing 130$ mm, suitable for models with $\varnothing 125$ mm flue gas connection	1080723	52.10

Accessories	Description	Item no.	Price (€)
Door handle	Slim	1034053	33.61

Jannik Medium, High

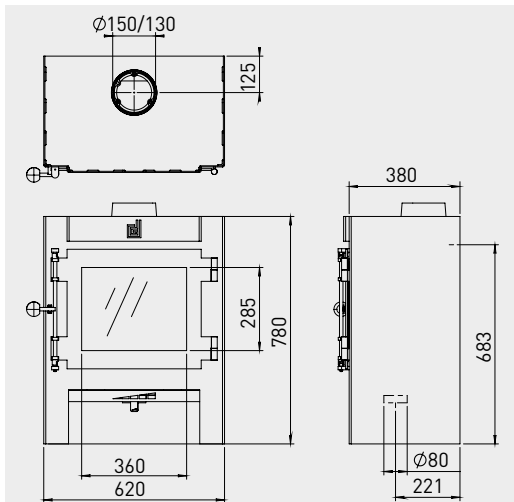


Model	Item no.	Price (€)
Jannik Medium, High	1071384	2,535.29

Required component	Description	Item no.	Price (€)
Flue gas tube	Conical flue gas outlet \varnothing 130 mm, suitable for models with \varnothing 125 mm flue gas connection	1080723	52.10

Accessories	Description	Item no.	Price (€)
Door handle	Slim	1034053	33.61

Jannik Large

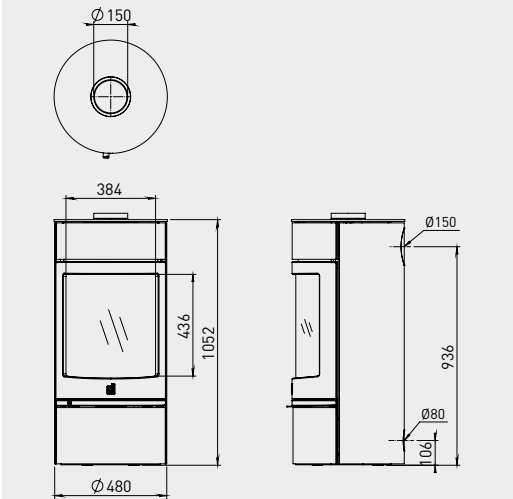


Model	Item no.	Price (€)
Jannik Large	1065098	2,715.13

Required component	Description	Item no.	Price (€)
Flue gas tube	Conical flue gas outlet \varnothing 150 mm	1083105	78.15

Accessories	Description	Item no.	Price (€)
Door handle	Slim	1034053	33.61

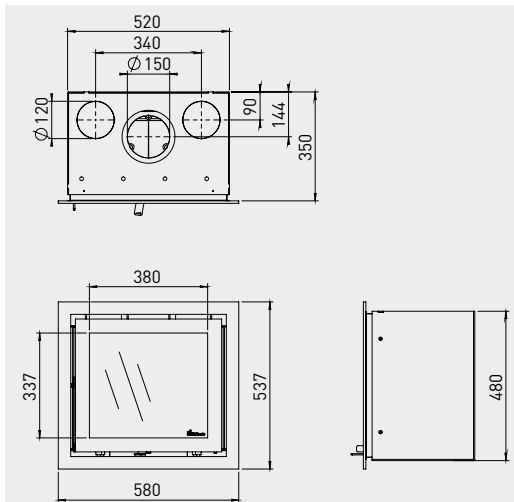
Orbe



Model	Item no.	Price (€)
Orbe	1090878	3,135.29
Orbe, RS (no DIBt)	1090881	3,575.63
Orbe, RS (no DIBt), external air rear	1091240	4,270.59
Orbe, Smart Assist	1090879	3,830.25
Orbe, Smart Assist, RS (no DIBt)	1090880	4,120.17
Orbe, Smart Assist, RS (no DIBt), external air rear	1091239	338.00
Orbe, Smart Assist, Catalytic converter	1092036	4,225.21
Orbe, Smart Assist, RS (no DIBt), Catalytic converter	1092037	4,515.13
Orbe, Smart Assist, RS (no DIBt), Catalytic converter, external air rear	1092038	4,515.13

Accessories	Description	Item no.	Price (€)
External air connection	External air connection, Ø 80 mm	1090882	140.34
Kit for self-closing doo	Type 1	1085883	36.13

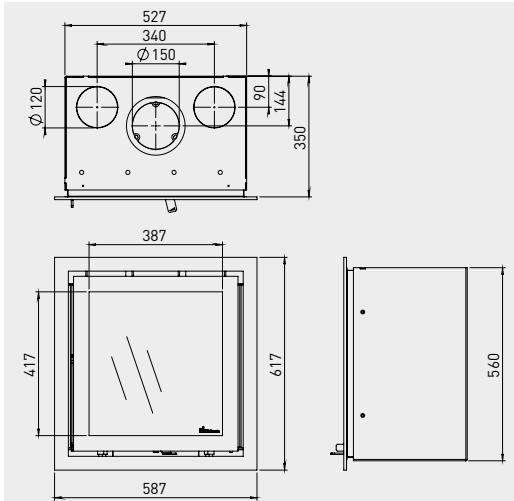
Instyle 500



Model	Item no.	Price (€)
Instyle 500	1034061	1,915.13

Required component	Description	Item no.	Price (€)
Frame	4S, 3 mm	1076032	274.79
	Classic Line 4S, solid, 40 mm	1076029	251.26
	Classic Line 3S, solid, 40 mm	1076028	251.26
	Modern Line, 40 mm	1076031	249.58
	Slim Line, 20 mm	1076037	221.01
	Classic Line 4S, Custom Made	1080519	617.65

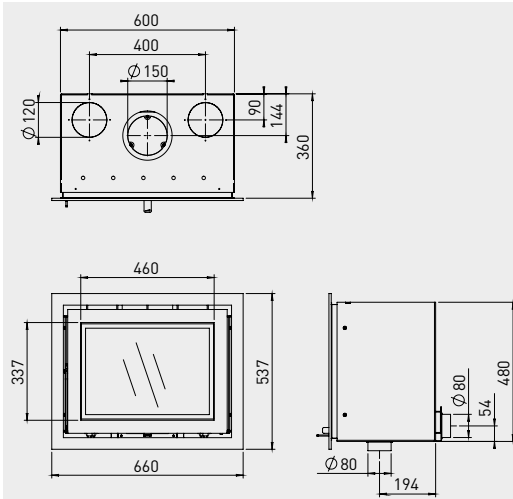
Instyle 550



Model	Item no.	Price (€)
Instyle 550	1034073	1,980.67

Required component	Description	Item no.	Price (€)
Frame	4S, 3 mm	1076033	274.79
	Classic Line 4S, solid, 40 mm	1076039	251.26
	Modern Line, 40 mm	1076035	249.58
	Slim Line, 20 mm	1034077	221.01
	Classic Line 4S, Custom Made	1080519	617.65

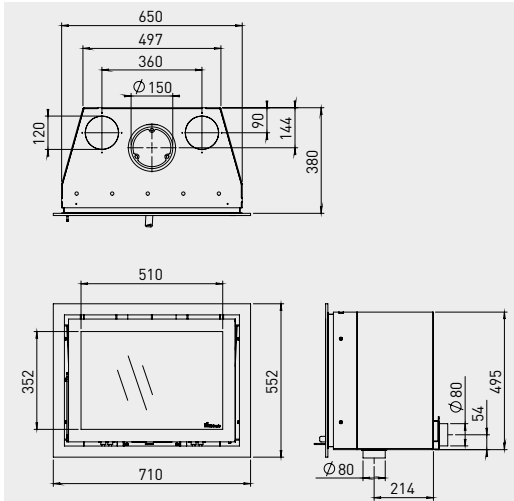
Instyle 600



Model	Item no.	Price (€)
Instyle 600	1062917	2,185.71

Required component	Description	Item no.	Price (€)
Frame	4S, 3 mm	1076026	274.79
	4S, 8 mm	1062981	300.00
	Classic Line 4S, solid, 40 mm	1076025	251.26
	Classic Line 3S, solid, 40 mm	1076023	251.26
	Modern Line, 40 mm	1076024	249.58
	Slim Line, 20 mm	1076027	221.01
	Classic Line 4S, Custom Made	1080519	617.65

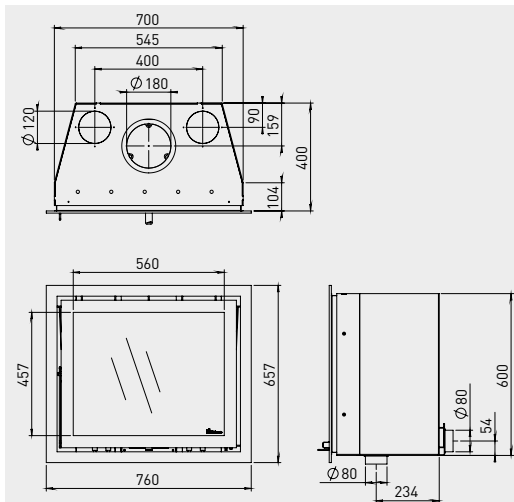
Instyle 650



Model	Item no.	Price (€)
Instyle 650	1062921	2,340.34

Required component	Description	Item no.	Price (€)
Frame	4S, 3 mm	1076043	274.79
	4S, 8 mm	1068574	452.10
	Classic Line 4S, solid, 40 mm	1076041	251.26
	Classic Line 3S, solid, 40 mm	1076042	251.26
	Modern Line, 40 mm	1076044	249.58
	Slim Line, 20 mm	1076040	221.01
	Classic Line 4S, Custom Made	1080519	617.65

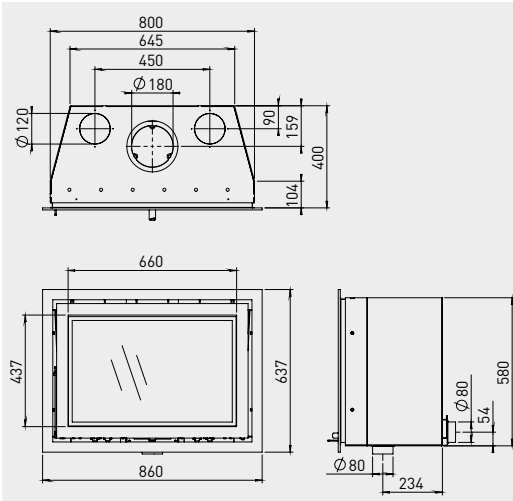
Instyle 700



Model	Item no.	Price (€)
Instyle 700	1062923	2,490.76

Required component	Description	Item no.	Price (€)
Frame	4S, 3 mm	1076046	274.79
	4S, 8 mm	1068575	452.10
	Classic Line 4S, solid, 40 mm	1076047	251.26
	Modern Line, 40 mm	1076048	249.58
	Slim Line, 20 mm	1076045	221.01
	Classic Line 4S, Custom Made	1080519	617.65

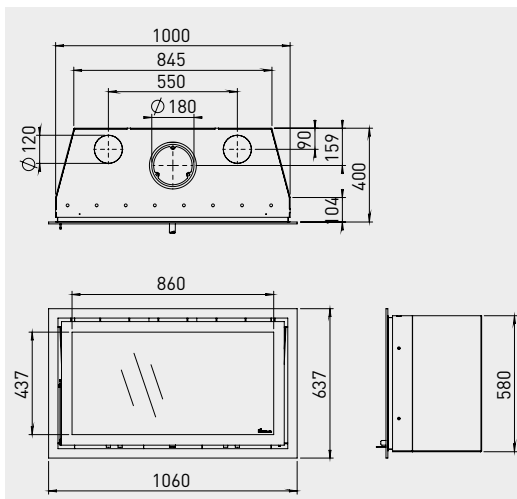
Instyle 800



Model	Item no.	Price (€)
Instyle 800	1062938	2,770.59

Required component	Description	Item no.	Price (€)
Frame	4S, 3 mm	1076050	297.48
	Classic Line 4S, solid, 40 mm	1076053	297.48
	Modern Line, 40 mm	1076052	300.00
	Slim Line, 20 mm	1076054	254.62
	Classic Line 4S, Custom Made	1080519	617.65

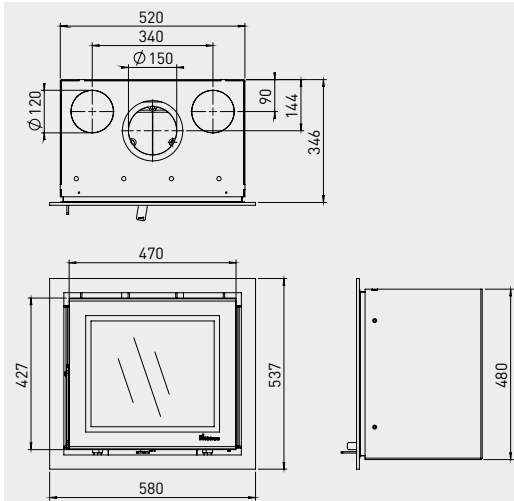
Instyle 1000



Model	Item no.	Price (€)
Instyle 1000	1062942	2,930.25

Required component	Description	Item no.	Price (€)
Frame	4S, 3 mm	1076055	303.36
	Classic Line 4S, solid, 40 mm	1076057	297.48
	Modern Line, 40 mm	1076056	300.00
	Slim Line, 20 mm	1076058	254.62
	Classic Line 4S, Custom Made	1080519	617.65

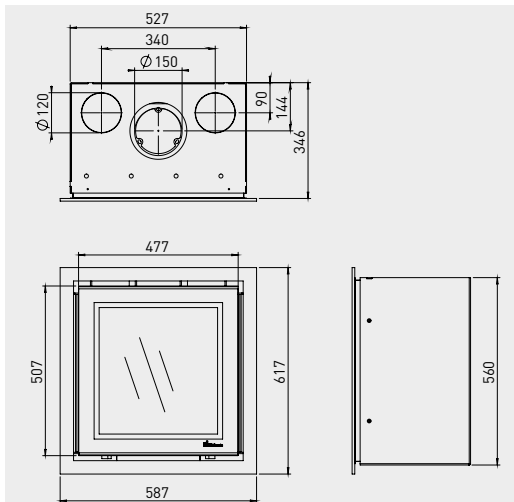
Prostyle 500



Model	Item no.	Price (€)
Prostyle 500	1062915	2,065.55

Required component	Description	Item no.	Price (€)
Frame	4S, 3 mm	1076032	274.79
	Classic Line 4S, solid, 40 mm	1076029	251.26
	Classic Line 3S, solid, 40 mm	1076028	251.26
	Modern Line, 40 mm	1076031	249.58
	Slim Line, 20 mm	1076037	221.01
	Classic Line 4S, Custom Made	1080519	617.65

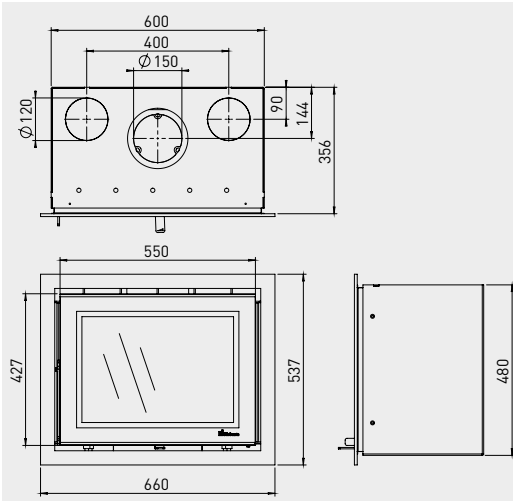
Prostyle 550



Model	Item no.	Price (€)
Prostyle 550	1062916	2,125.21

Required component	Description	Item no.	Price (€)
Frame	4S, 3 mm	1076033	274.79
	Classic Line 4S, solid, 40 mm	1076039	251.26
	Modern Line, 40 mm	1076035	249.58
	Slim Line, 20 mm	1034077	221.01
	Classic Line 4S, Custom Made	1080519	617.65

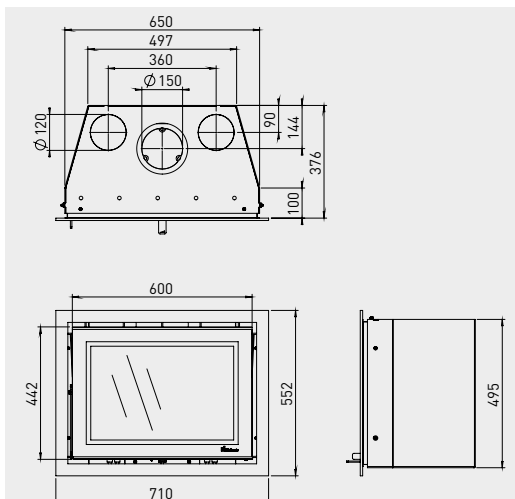
Prostyle 600



Model	Item no.	Price (€)
Prostyle 600	1062918	2,325.21

Required component	Description	Item no.	Price (€)
Frame	4S, 3 mm	1076026	274.79
	4S, 8 mm	1062981	300.00
	Classic Line 4S, solid, 40 mm	1076025	251.26
	Classic Line 3S, solid, 40 mm	1076023	251.26
	Modern Line, 40 mm	1076024	249.58
	Slim Line, 20 mm	1076027	221.01
	Classic Line 4S, Custom Made	1080519	617.65

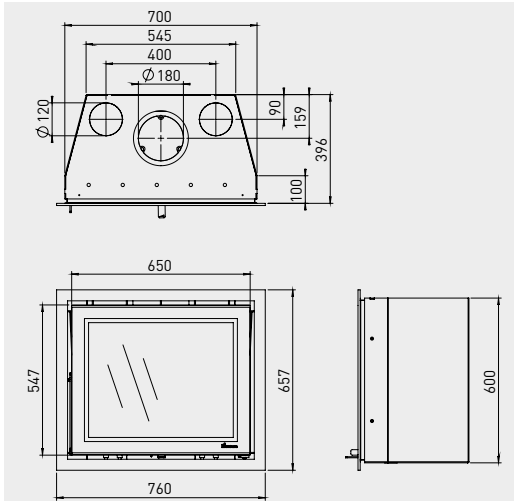
Prostyle 650



Model	Item no.	Price (€)
Prostyle 650	1062922	2,485.71

Required component	Description	Item no.	Price (€)
Frame	4S, 3 mm	1076043	274.79
	4S, 8 mm	1068574	452.10
	Classic Line 4S, solid, 40 mm	1076041	251.26
	Classic Line 3S, solid, 40 mm	1076042	251.26
	Modern Line, 40 mm	1076044	249.58
	Slim Line, 20 mm	1076040	221.01
	Classic Line 4S, Custom Made	1080519	617.65

Prostyle 700

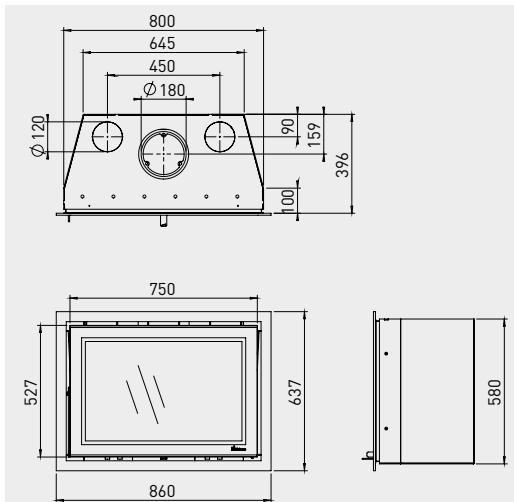


Wood fires Straight

Model	Item no.	Price (€)
Prostyle 700	1062924	2,650.42

Required component	Description	Item no.	Price (€)
Frame	4S, 3 mm	1076046	274.79
	4S, 8 mm	1068575	452.10
	Classic Line 4S, solid, 40 mm	1076047	251.26
	Modern Line, 40 mm	1076048	249.58
	Slim Line, 20 mm	1076045	221.01
	Classic Line 4S, Custom Made	1080519	617.65

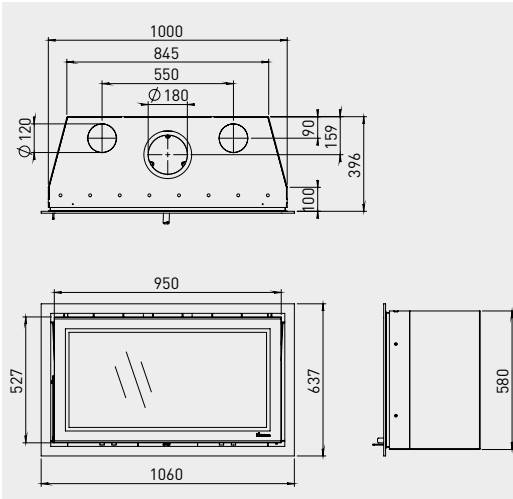
Prostyle 800



Model	Item no.	Price (€)
Prostyle 800	1062939	2,925.21

Required component	Description	Item no.	Price (€)
Frame	4S, 3 mm	1076050	297.48
	Classic Line 4S, solid, 40 mm	1076053	297.48
	Modern Line, 40 mm	1076052	300.00
	Slim Line, 20 mm	1076054	254.62
	Classic Line 4S, Custom Made	1080519	617.65

Prostyle 1000

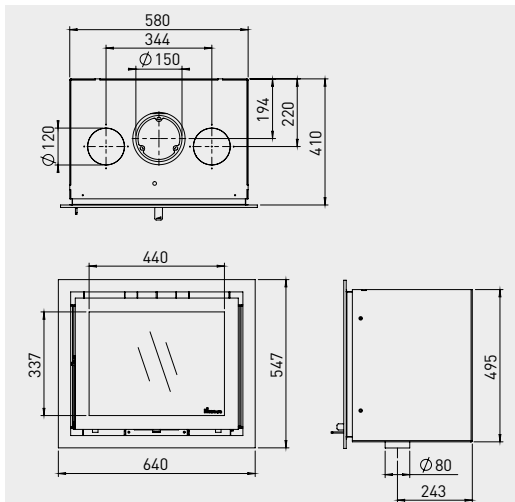


Wood fires Straight

Model	Item no.	Price (€)
Prostyle 1000	1062943	3,070.59

Required component	Description	Item no.	Price (€)
Frame	4S, 3 mm	1076055	303.36
	Classic Line 4S, solid, 40 mm	1076057	297.48
	Modern Line, 40 mm	1076056	300.00
	Slim Line, 20 mm	1076058	254.62
	Classic Line 4S, Custom Made	1080519	617.65

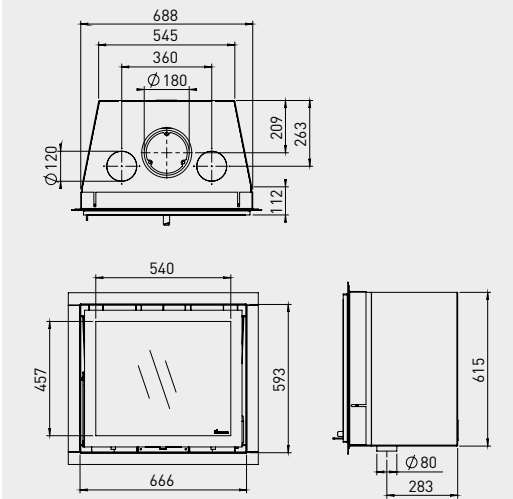
Instyle 600V Next



Model	Item no.	Price (€)
Instyle 600V Next	1077166	2,525.21

Required component	Description	Item no.	Price (€)
Frame	4S, 3 mm	1077330	303.36
	Classic Line 4S, 40 mm	1077332	267.23
	Classic Line 4S, Custom Made	1080519	617.65

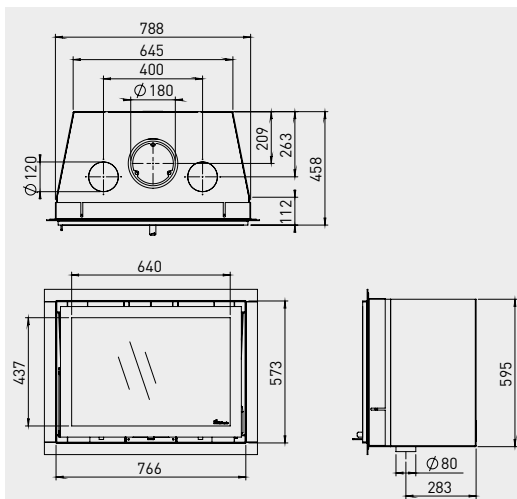
Instyle 700V Next



Model	Item no.	Price (€)
Instyle 700V Next	1077168	2,830.25

Required component	Description	Item no.	Price (€)
Frame	4S, 3 mm	1077321	303.36
	Classic Line 4S, 40 mm	1077326	267.23
	Classic Line 4S, Custom Made	1080519	617.65

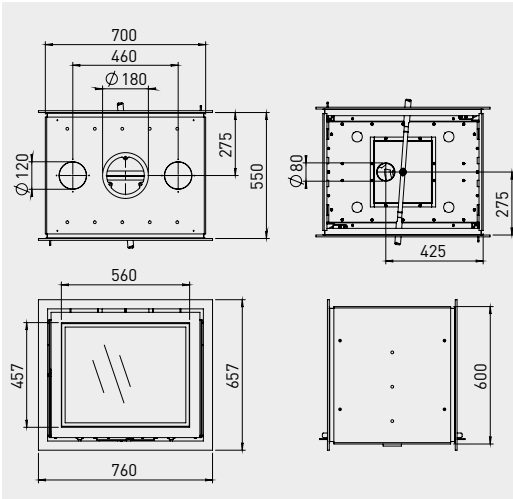
Instyle 800V Next



Model	Item no.	Price (€)
Instyle 800V Next	1077349	3,110.08

Required component	Description	Item no.	Price (€)
Frame	4S, 3 mm	1077311	303.36
	Classic Line 4S, 40 mm	1077315	267.23
	Classic Line 4S, Custom Made	1080519	617.65

Instyle Tunnel

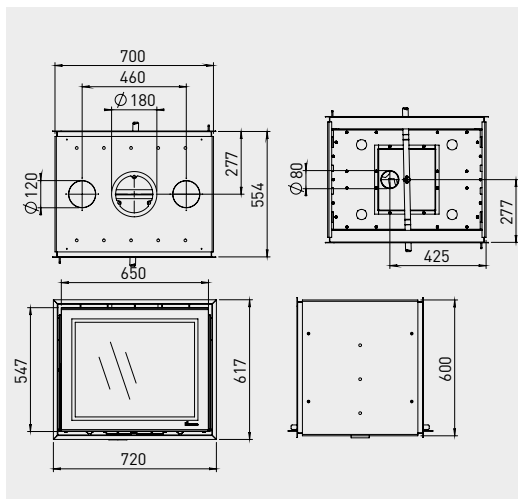


Model	Item no.	Price (€)
Instyle Tunnel	1062947	3,610.08
Instyle Tunnel, RS (no DIBt), with conical exhaust gas muzzle	1062948	4,050.42
Instyle Tunnel, RS (no DIBt), with Linerkit Pro	1062949	4,050.42

Required component	Description	Item no.	Price (€)
Frame	4S, 3 mm	1076046	274.79
	4S, 8 mm	1068575	452.10
	Classic Line 4S, solid, 40 mm	1076047	251.26
	Modern Line, 40 mm	1076048	249.58
	Slim Line, 20 mm	1076045	221.01
	Classic Line 4S, Custom Made	1080519	617.65

Accessories	Description	Item no.	Price (€)
External air connection	Ø 80 mm	1062953	142.02

Prostyle Tunnel

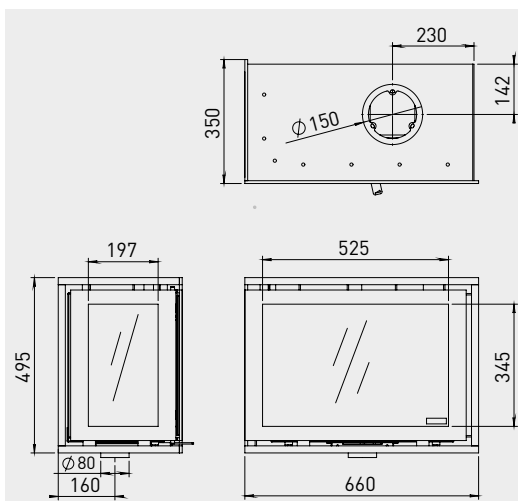


Model	Item no.	Price (€)
Prostyle Tunnel	1062950	3,765.55

Required component	Description	Item no.	Price (€)
Frame	4S, 3 mm	1076046	274.79
	4S, 8 mm	1068575	452.10
	Classic Line 4S, solid, 40 mm	1076047	251.26
	Modern Line, 40 mm	1076048	249.58
	Slim Line, 20 mm	1076045	221.01
	Classic Line 4S, Custom Made	1080519	617.65

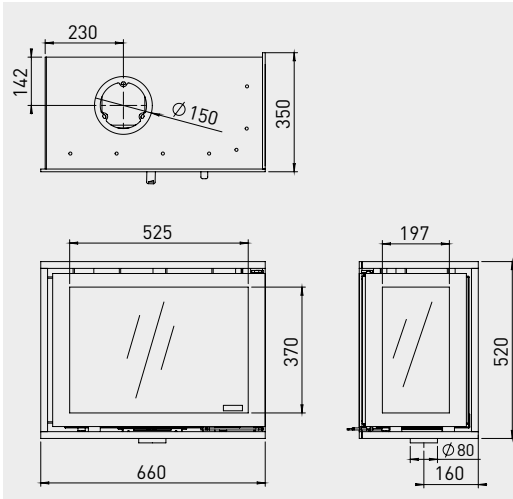
Accessories	Description	Item no.	Price (€)
External air connection	Ø 80 mm	1062953	142.02

Instyle Corner 660 Low



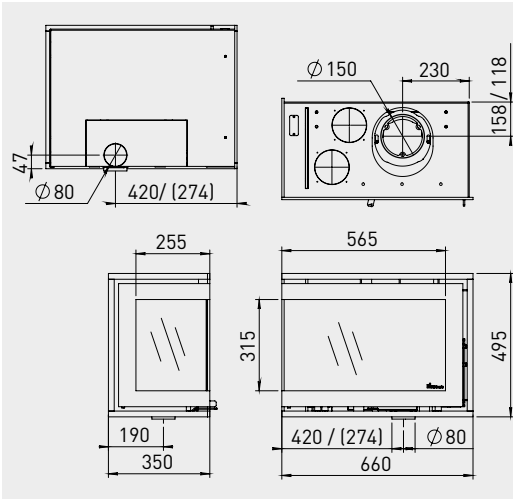
Model	Item no.	Price (€)
Instyle Corner 660 Low-01, left	1080489	3,465.55
Instyle Corner 660 Low-01, right	1080490	3,465.55

Instyle Corner 660 High



Model	Item no.	Price (€)
Instyle Corner 660 High-01, left	1080484	3,610.08
Instyle Corner 660 High-01, right	1080487	3,610.08

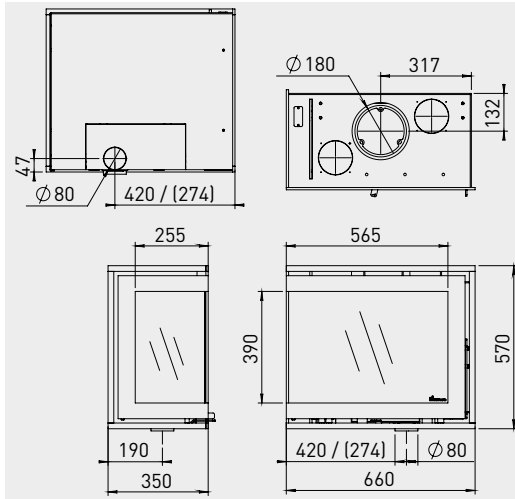
Instyle Corner Slim 660/495



Model	Item no.	Price (€)
Instyle Corner Slim 660/495, left	1065113	3,450.42
Instyle Corner Slim 660/495, left, RS (no DIBt), with Linerkit Pro, external air bottom	1066554	3,830.25
Instyle Corner Slim 660/495, left, RS with conical exhaust gas muzzle, external air bottom	1066552	3,830.25
Instyle Corner Slim 660/495, left, RS (no DIBt) with Linerkit Pro, external air rear	1066550	3,890.76
Instyle Corner Slim 660/495, left, RS with conical exhaust gas muzzle, external air rear	1066548	3,890.76
Instyle Corner Slim 660/495, right	1065112	3,450.42
Instyle Corner Slim 660/495, right, RS (no DIBt) with Linerkit Pro, external air bottom	1066553	3,830.25
Instyle Corner Slim 660/495, right, RS (no DIBt) with conical exhaust gas muzzle, external air bottom	1066551	3,830.25
Instyle Corner Slim 660/495, right, RS (no DIBt) with Linerkit Pro, external air rear	1066549	3,890.76
Instyle Corner Slim 660/495, right, RS (no DIBt) with conical exhaust gas muzzle, external air rear	1066547	3,890.76

Accessories	Description	Item no.	Price (€)
External air connection	Downward, Ø 80 mm	1066572	74.79
	Backward, Ø 80 mm	1066576	137.82
Build in frame	6S, 60 mm	1066579	472.27

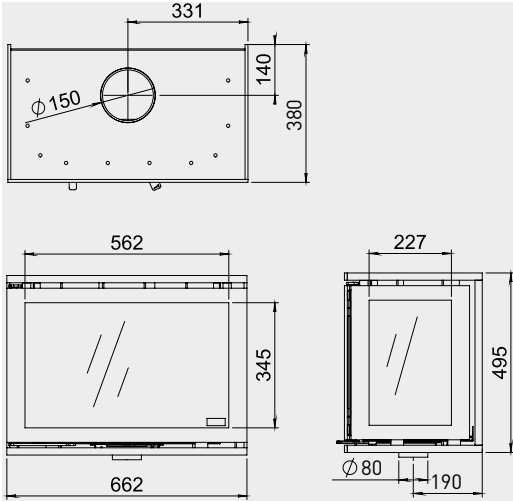
Instyle Corner Slim 660/570



Model	Item no.	Price (€)
Instyle Corner Slim 660/570, left	1073194	3,685.71
Instyle Corner Slim 660/570, left, RS (no DIBt) with Linerkit Pro, external air bottom	1073203	4,065.55
Instyle Corner Slim 660/570, left, RS (no DIBt) with conical exhaust gas muzzle, external air bottom	1073201	4,065.55
Instyle Corner Slim 660/570, left, RS (no DIBt) with Linerkit Pro, external air rear	1073199	4,125.21
Instyle Corner Slim 660/570, left, RS (no DIBt) with conical exhaust gas muzzle, external air rear	1073197	4,125.21
Instyle Corner Slim 660/570, right	1073193	3,685.71
Instyle Corner Slim 660/570, right, RS (no DIBt) with Linerkit Pro, external air bottom	1073202	4,065.55
Instyle Corner Slim 660/570, right, RS (no DIBt) with conical exhaust gas muzzle, external air bottom	1073200	4,065.55
Instyle Corner Slim 660/570, right, RS (no DIBt) with Linerkit Pro, external air rear	1073198	4,125.21
Instyle Corner Slim 660/570, right, RS (no DIBt) with conical exhaust gas muzzle, external air rear	1073195	4,125.21

Accessories	Description	Item no.	Price (€)
External air connection	Downward, Ø 80 mm	1066572	74.79
	Backward, Ø 80 mm	1066576	137.82
Build in frame	6S, 60 mm	1075256	503.36

Instyle Triple 660 Low-01



Model	Item no.	Price (€)
Instyle Triple 660 Low-01	1081469	3,510.08

Model	Item no.	Price (€)
Instyle Triple 660 Low-01, RS (no DIBt), external air bottom	1081091	3,890.76
Instyle Triple 660 Low-01, RS (no DIBt), external air rear	1083323	3,890.76

Wood fires		Model	Bora Corner	Odin	Odin Tunnel	Oval	Oval Tunnel
General data	Energy efficiency class		A	A	A	A	A+
	Nominal heat output	kW	6.7	6.7	8.3	7.9	11.6
	Output range	kW	4.0 - 9.0	4.0 - 8.0	6.0 - 10.0	6.0 - 10.0	9.0 - 12.0
	Efficiency	%	78.1	75.2	75.0	75.9	81.5
	Flue gas mass flow	g/s	5.5	6.2	7.7	On request	On request
	Flue gas temperature	°C	297	315	318	On request	On request
	Min. air supply pressure at nominal heat output	Pa	11.8	12	12	On request	On request
Distance in radiant heat area of pane	Front	mm	1250	1200	1000	1000	1000
	Side	mm	100 / 700 (side)	150	250	50	50
	Back	mm	150	100	1000	150	1000
Door mechanism			Hinged	Hinged	Hinged	Hinged	Hinged
Log length		cm	30	33	33	50	50
Certificates / Approvals	DIN EN 13240		✓	✓	✓	On request	On request
	2. BImSchV. 2010		✓	✓	✓	✓	✓
	Ecodesign 2022		✓	✓	✓	✓	✓
	DEFRA		✓	✓	✓	✓	✓
	Flamme Verte		✓	✓	✓	✓	✓

Wood fires		Model	Vidar Triple Small	Vidar Triple Medium	Vidar Triple Large	Ivar 5	Ivar 10 H ₂ O	Kalle
General data	Energy efficiency class		A	A	A	A+	A+	A+
	Nominal heat output	kW	4.9	7.1	8.0	5.1	10.2	7.0
	Output range	kW	On request	On request	On request	4.0 - 7.0	8.0 - 12.0	4.0 - 8.0
	Efficiency	%	79.0	76.3	79.0	82.0	81.5	85.0
	Flue gas mass flow	g/s	On request	On request	On request	3.9	On request	On request
	Flue gas temperature	°C	On request	On request	On request	273	On request	181
	Min. air supply pressure at nominal heat output	Pa	On request	On request	On request	13	On request	On request
Distance in radiant heat area of pane	Front	mm	1200	1400	1400	1100	On request	-
	Side	mm	700	700	700	500	On request	800
	Back	mm	200	250	200	400	On request	400
Door mechanism			Hinged	Hinged	Hinged	Hinged	Hinged	Hinged
Log length		cm	On request	On request	On request	28	50	40
Certificates Approvals	DIN EN 13240		On request	On request	On request	✓	✓	✓
	2. BImSchV. 2010		On request	On request	On request	✓	✓	✓
	Ecodesign 2022		On request	On request	On request	✓	✓	✓
	DEFRA		On request	On request	On request	✓	On request	On request
	Flamme Verte		On request	On request	On request	-	On request	On request

Wood fires		Model	Folke	Modivar 5	Aste 5	Soren 5	Lars 1000	Jannik	Orbe
General data	Energy efficiency class		A	A+	A+	A+	A+	A+	A+
	Nominal heat output	kW	7.3	5.1	5.0	5.0	5.1	5.1	6.5
	Output range	kW	4.0 - 8.0	4.0 - 7.0	4.0 - 7.0	4.0 - 7.0	4.0 - 7.0	4.0 - 7.0	5.0 - 9.0
	Efficiency	%	77.3	82.0	82.0	82.0	82.0	82.0	81.6
	Flue gas mass flow	g/s	6.2	3.9	On request	On request	3.9	3.9	On request
	Flue gas temperature	°C	330	273	On request	On request	273	273	On request
	Min. air supply pressure at nominal heat output	Pa	12	13	On request	On request	13	13	On request
Distance in radiant heat area of pane	Front	mm	1200	1200	1100	1100	1100	900	1100
	Side	mm	700	400	500	500	500	400	400
	Back	mm	400	330	400	400	400	330	100
Door mechanism			Hinged	Hinged	Hinged	Hinged	Hinged	Hinged	Hinged
Log length		cm	33	28	35	35	28	28	On request
Certificates Approvals	DIN EN 13240		✓	✓	✓	On request	✓	✓	On request
	2. BImSchV. 2010		✓	✓	✓	✓	✓	✓	On request
	Ecodesign 2022		✓	✓	✓	✓	✓	✓	On request
	DEFRA		-	✓	✓	✓	-	✓	On request
	Flamme Verte		-	✓	On request	✓	-	-	On request

Wood fires		Model	Instyle 500	Instyle 550	Instyle 600	Instyle 650	Instyle 700	Instyle 800
General data	Energy efficiency class		A+	A+	A	A	A+	A
	Nominal heat output	kW	4.9	4.9	4.9	6.1	10.1	10.2
	Output range	kW	3.0 - 7.0	3.0 - 7.0	3.0 - 7.0	3.0 - 9.0	6.0 - 12.0	8.0 - 12.0
	Efficiency	%	82.0	81.0	79.6	80.5	81.6	76.6
	Flue gas mass flow	g/s	On request	On request	On request	On request	On request	On request
	Flue gas temperature	°C	262	251	286	288	277	342
	Min. air supply pressure at nominal heat output	Pa	On request	On request	On request	On request	On request	On request
Distance in radiant heat area of pane	Front	mm	1000	1000	1000	1000	1000	-
	Side	mm	-	-	-	-	-	-
	Back	mm	-	-	-	-	-	-
Door mechanism			Hinged	Hinged	Hinged	Hinged	Hinged	Hinged
Log length		cm	35	36	42	40	45	55
Certificates / Approvals	EN13229		✓	✓	✓	✓	✓	✓
	2. BImSchV. 2010		✓	✓	✓	✓	✓	✓
	Ecodesign 2022		✓	✓	✓	✓	✓	✓
	DEFRA		✓	✓	✓	✓	✓	-
	Flamme Verte		✓	✓	✓	✓	✓	✓

Wood fires		Model	Instyle 1000	Prostyle 500	Prostyle 550	Prostyle 600	Prostyle 650	Prostyle 700
General data	Energy efficiency class		A	A+	A+	A	A	A+
	Nominal heat output	kW	11.4	4.9	4.9	4.9	6.1	10.1
	Output range	kW	9.0 - 13.0	3.0 - 7.0	3.0 - 7.0	3.0 - 7.0	3.0 - 9.0	6.0 - 12.0
	Efficiency	%	77.7	82.0	81.0	79.6	80.5	81.6
	Flue gas mass flow	g/s	On request	On request	On request	On request	On request	On request
	Flue gas temperature	°C	337	262	251	286	288	277
	Min. air supply pressure at nominal heat output	Pa	On request	On request	On request	On request	On request	On request
Distance in radiant heat area of pane	Front	mm	-	1000	1000	1000	1000	1000
	Side	mm	-	-	-	-	-	-
	Back	mm	-	-	-	-	-	-
Door mechanism			Hinged	Hinged	Hinged	Hinged	Hinged	Hinged
Log length		cm	75	35	36	42	40	45
Certificates / Approvals	EN13229		✓	✓	✓	✓	✓	✓
	2. BImSchV. 2010		✓	✓	✓	✓	✓	✓
	Ecodesign 2022		✓	✓	✓	✓	✓	✓
	DEFRA		-	✓	✓	✓	✓	✓
	Flamme Verte		✓	✓	✓	✓	✓	✓

Wood fires		Model	Prostyle 800	Prostyle 1000	Instyle 600V Next	Instyle 700V Next	Instyle 800V Next	Instyle Tunnel
General data	Energy efficiency class		A	A	A	A+	A	A+
	Nominal heat output	kW	10.2	11.4	4.9	10.1	10.2	11.0
	Output range	kW	8.0 - 12.0	9.0 - 13.0	3.0 - 7.0	6.0 - 12.0	8.0 - 12.0	9.0 - 12.0
	Efficiency	%	76.6	77.7	79.6	81.6	76.6	83.0
	Flue gas mass flow	g/s	On request	On request	On request	On request	On request	On request
	Flue gas temperature	°C	342	337	289	277	342	193,4
	Min. air supply pressure at nominal heat output	Pa	On request	On request	On request	On request	On request	On request
Distance in radiant heat area of pane	Front	mm	-	-	1000	1000	1200	-
	Side	mm	-	-	200	200	400	-
	Back	mm	-	-	200	200	400	-
Door mechanism			Hinged	Hinged	Hinged	Hinged	Hinged	Hinged
Log length		cm	55	75	42	45	55	52
Certificates Approvals	EN13229		✓	✓	✓	✓	✓	✓
	2. BImSchV. 2010		✓	✓	✓	✓	✓	✓
	Ecodesign 2022		✓	✓	✓	✓	✓	✓
	DEFRA		-	-	✓	✓	-	-
	Flamme Verte		✓	✓	✓	✓	✓	✓

Wood fires		Model	Prostyle Tunnel	Instyle Corner 660 Low	Instyle Corner 660 High	Instyle Corner Slim 660/495	Instyle Corner Slim 660/570	Instyle Triple 660 Low-01
General data	Energy efficiency class		A+	A	A	A	A	A
	Nominal heat output	kW	11.0	6.8	6.8	6.7	7.4	7.1
	Output range	kW	9.0 - 12.0	4.0 - 9.0	4.0 - 9.0	4.0 - 10.0	5.0 - 10.0	On request
	Efficiency	%	83.0	76.3	76.3	75.2	80.0	76.3
	Flue gas mass flow	g/s	On request	On request	On request	On request	On request	On request
	Flue gas temperature	°C	193,4	308	308	326	On request	On request
	Min. air supply pressure at nominal heat output	Pa	On request	On request	On request	On request	On request	On request
Distance in radiant heat area of pane	Front	mm	-	1500	1500	1100	1400	1300
	Side	mm	-	800	800	500	500	700
	Back	mm	-	-	-	-	-	-
Door mechanism			Hinged	Hinged	Hinged	Hinged	Hinged	Hinged
Log length		cm	52	50	50	50	50	On request
Certificates Approvals	EN13229		✓	✓	✓	✓	✓	On request
	2. BImSchV. 2010		✓	✓	✓	✓	✓	On request
	Ecodesign 2022		✓	✓	✓	✓	✓	On request
	DEFRA		-	-	-	✓	✓	On request
	Flamme Verte		✓	✓	✓	✓	✓	On request



Spartherm Feuerungstechnik GmbH
Maschweg 38 | 49324 Melle | **Germany**
T. +49 5422 9441 - 0 | F. +49 5422 9441 - 14
info@spartherm.com



DRU Verwarming B.V. is a member of the Spartherm Group.
Dik Geurts is a brand of DRU Verwarming B.V.

The colours in the price list may vary. Nothing from this edition may be used without the prior written consent of Spartherm.

